



ADA

**Designed to last
No matter the conditions**

The Ada M45 solar bollard combines modern design with reliable performance, making it ideal for pathways, parks, gardens, and outdoor living spaces. Constructed from durable die-cast aluminum, it is engineered to withstand harsh environmental conditions while providing complete energy autonomy. Equipped with a high-efficiency 6W monocrystalline solar panel and LiFePO4 battery technology, it delivers 420 lumens of illumination with over 24 hours of autonomy and up to 4 days of backup operation. Its streamlined PERFORMANCE line design offers an excellent balance of quality, durability, and cost-effectiveness for professional outdoor lighting projects.



ADA

FIXTURE TYPE: _____

PROJECT NAME: _____



* Bullard Solar offers a 5 Year Limited Warranty for the Post Top-Series luminaire shall be free from defects in material and workmanship for up to five (5) years from date of shipment. This limited warranty covers all components when installed and operated according to Bullard Solar instructions. Fixture suitable for ambient temperature from -10° to 50°. PV Panels - 20 year performance warranty Controller & Batteries: 5 years

Bullard Solar retains the right to modify or change product specifications without prior notice, as part of our ongoing commitment to improvement



Due to the dynamic nature of lighting products and the associated technologies, luminaire data on all specification sheets is subject to change at the discretion of Gordon Bullard LLC and associated companies.

NOMINAL FLUX	420 LUMENS
NOMINAL POWER	3.5 WATTS

LIGHTING

Efficiency	196 Lumens/Watts
Chips LED	PHILIPS Luxeon 30-30
LED lifetime	Over 80 000 hours LM80
Optics/CCT	Symetric / 2300K to 6500K (Dual CCT optional)

BATTERY

Technology	Lithium Iron Phosphate LIFEPO4
Capacity	28Wh
Autonomy	Over 24 hours at full charge - 4 Rainy Days back up
Charging time	6 hours
Lifespan	Over 3000 CYCLES @ 80% DOD over 10 years Lifetime
Working temp	14°F to 158°F (optional -40°F to 158°F) -10°C to 70°C (optional -40°C TO 70°C)

ENERGY

Solar panel	6Wc
Cells type	Monocrystalline Panel Grade A 25 years
Certificates	IEC 61215 - IEC 61730 I and II - IEC 60904

ELECTRONIC

Sensor.....	PIR 180° sensor (optional)
-------------	----------------------------

OTHER OPTIONS

Materials	Die cast aluminum
Installation	Concrete base or insert on support

CERTIFICATIONS

IEC / TUV / EMC / LM-79- 08 AND LM-80 TEST STANDARDS / IK10+ / IP65 / CE / ULOR

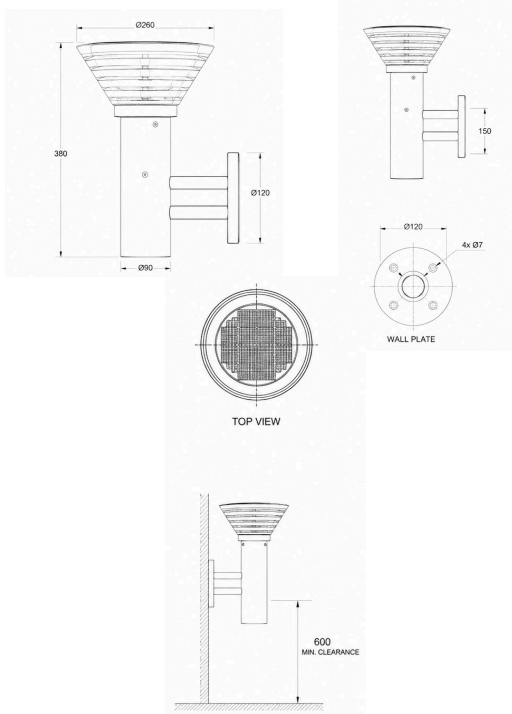
ONE WITH THE SUN

sales@gordonbullard.com / www.bullardbollards.com / 1-877-964-4646
991 South Gull Lake Dr Richland, MI 49083 USA

FIXTURE TYPE: _____

PROJECT NAME: _____

M45



HOW TO ORDER: _____ **CODE:** _____

Example:
CODE: BS-AD-WS-SLX-M45-BL-30K BS-AD-WS-SLX-M45-BL-30K

1 **MODEL:** _____

-M45

DIMENSIONS:

- Diameter - Ø: 10.2" (26 cm)
- Height - H: 14.96" (38 cm)
- Light Height 15" (38 cm)
- Carton size 19.70" x 12.60" x 13.00" (50 cm x 32 cm x 33 cm)
- Weight 7,05lb (3.2 KG)

2 **FINISH OPTIONS:**

- BL Black
- CUS Custom on request

3 **CCT:**

- 23K 2300K
- 30K 3000K
- 40K 4000K
- 50K 5000K
- 65K 6500K



Due to the dynamic nature of lighting products and the associated technologies, luminaire data on all specification sheets is subject to change at the discretion of Gordon Bullard LLC and associated companies.

ONE WITH THE SUN

sales@gordonbullard.com / www.bullardbollards.com / 1-877-964-4646
991 South Gull Lake Dr Richland, MI 49083 USA

FIXTURE TYPE: _____

PROJECT NAME: _____



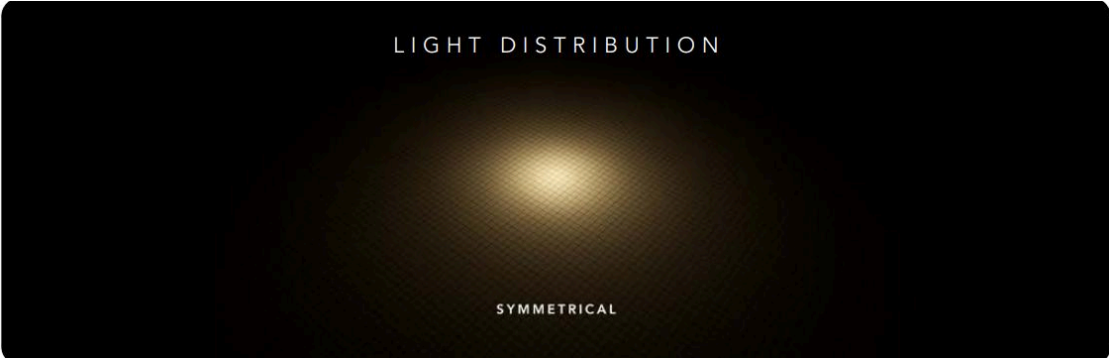
LUMINAIRE HOUSING & LEDS

The ADA] incorporates the latest LED technologies, its elegance and ease of installation will meet your lighting needs. ADA is equipped with LED chips, combining performance and robustness with 120 lumens per watt.

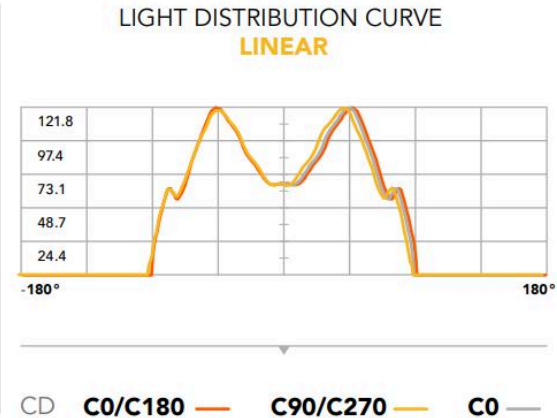
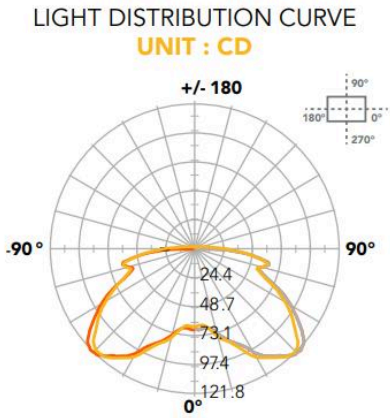
A TOTAL OF 420 LUMENS

Our light fixture also complies with current standards concerning light pollution.

LIGHT DISTRIBUTION



PHOTOMETRIC CURVE




Due to the dynamic nature of lighting products and the associated technologies, luminaire data on all specification sheets is subject to change at the discretion of Gordon Bullard LLC and associated companies.

ONE WITH THE SUN

sales@gordonbullard.com / www.bullardbollards.com / 1-877-964-4646
991 South Gull Lake Dr Richland, MI 49083 USA

FIXTURE TYPE: _____

PROJECT NAME: _____

ADA

LIFEPO4 BATTERY



OVER 10 YEARS LIFESPAN

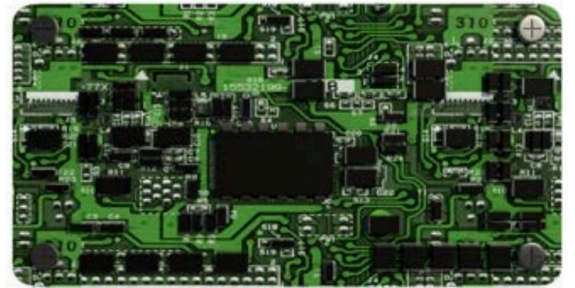
The ADA is equipped with Lithium Iron Phosphate LIFEPO4 batteries, recognized as the best battery technology in terms of longevity, safety, and performance for solar applications. Our batteries enjoy a lifespan of over 3000 cycles, which is more than 10 years at 80% DOD.

EXTREME TEMPERATURE
14°F to 158°F (-10 °C to 70°C)

When Standard Lithium LiFePo4 batteries enjoy a working temperature range from 14°F to 158°F (-10°C TO 70 °C), Bullard Solar offers as optional a new Special LIFEPO4 battery with working range of -40°F to 158°F (-40°C to 70°C)

BMS ELECTRONIC PROTECTION BATTERY MANAGEMENT SYSTEM

Our batteries are equipped with electronic circuit boards for a higher protection, ensuring battery functioning optimization in any situation.



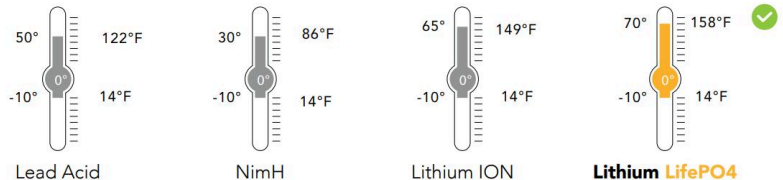
THE BMS PROTECTS AGAINST
OVER/UNDER CURRENT • OVERLOAD • OVER/UNDER VOLTAGE
• OVER/UNDER CHARGE • TEMPERATURE MANAGEMENT

COMPARISONS OF DIFFERENT BATTERY TECHNOLOGIES

LIFETIME & CYCLES AT 80% DOD*
Comparison of different battery technologies



CHARGING TEMPERATURE RANGE WITHOUT CAPACITY LOSS
Minimum & Maximum temperature range for Optimal charging during the day




Due to the dynamic nature of lighting products and the associated technologies, luminaire data on all specification sheets is subject to change at the discretion of Gordon Bullard LLC and associated companies.

ONE WITH THE SUN

sales@gordonbullard.com / www.bullardbollards.com / 1-877-964-4646
991 South Gull Lake Dr Richland, MI 49083 USA

FIXTURE TYPE: _____

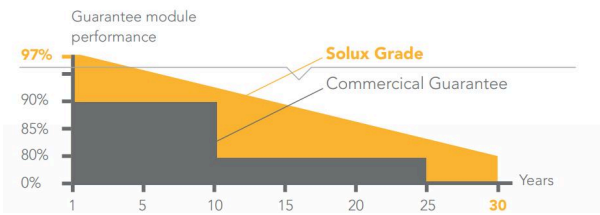
PROJECT NAME: _____

SOLAR PANEL

6 WATTS

Encapsulated Monocrystalline Solar Panel Grade A Solar Cell with Tempered Glass.

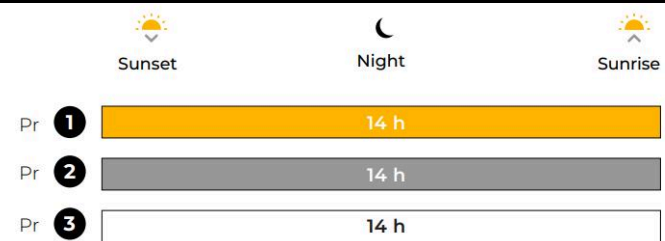
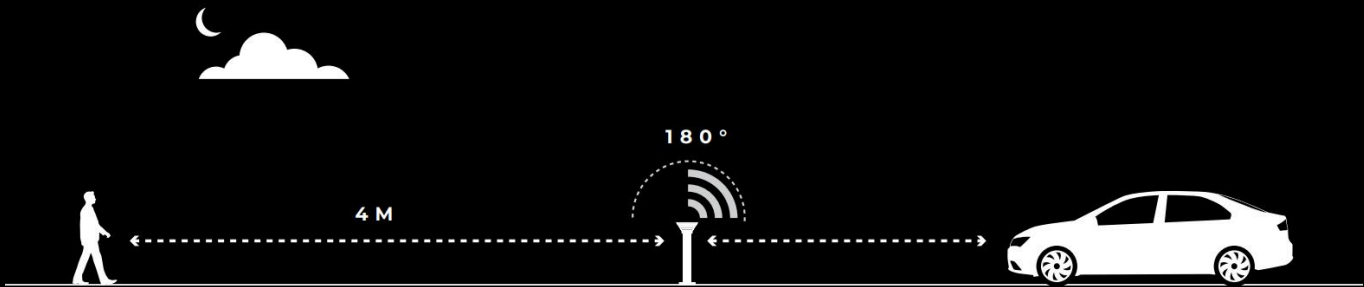
OUR PV PERFORMANCE GUARANTEE



PRESENCE DETECTOR INFRARED SENSOR

THE ADA AUTOMATICALLY TURNS ON AT DUSK AND OFF AT DAWN.

BULLARD SOLAR offers optional PIR movement sensor. The infra red detector integrated into the light fixture will increase the light power as pedestrians or vehicles pass, thus providing a higher level of safety while respecting the environment.



Depending on the geographical area, we will select the % of light reduction.

- Program 1 > 40% Dim + 100% ON during 20 sec
- Program 2 > 30% Dim + 100% ON during 20 sec
- Program 3 > 20% Dim + 100% ON during 20 sec

OUR DIMMING PROGRAM WILL BE CUSTOMIZED TO YOUR GEOGRAPHICAL LOCATION FOR OPTIMAL EFFICIENCY.



Due to the dynamic nature of lighting products and the associated technologies, luminaire data on all specification sheets is subject to change at the discretion of Gordon Bullard LLC and associated companies.

ONE WITH THE SUN

sales@gordonbullard.com / www.bullardbollards.com / 1-877-964-4646
991 South Gull Lake Dr Richland, MI 49083 USA

FIXTURE TYPE: _____

PROJECT NAME: _____

ADA

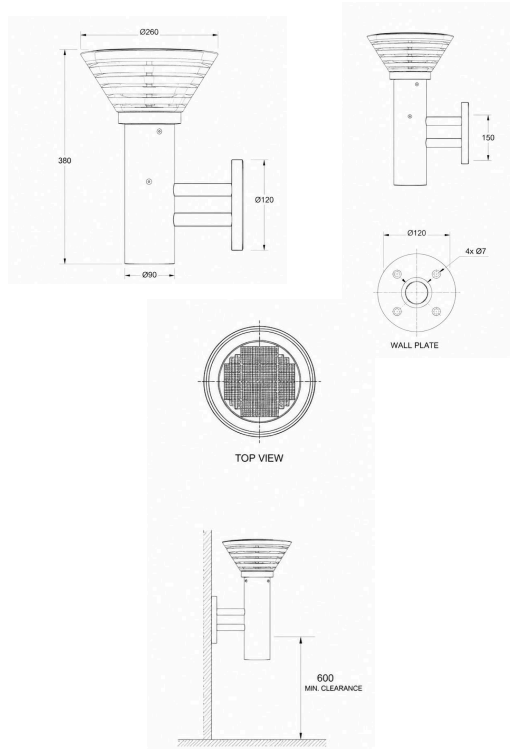
EASY INSTALLATION

NO CABLING & NO TRENCHING

DIMENSIONS *

BOLLARD AND BASE

M45



Due to the dynamic nature of lighting products and the associated technologies, luminaire data on all specification sheets is subject to change at the discretion of Gordon Bullard LLC and associated companies.

ONE WITH THE SUN

sales@gordonbullard.com / www.bullardbollards.com / 1-877-964-4646

991 South Gull Lake Dr Richland, MI 49083 USA