



KORON COLLECTION

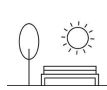
SOLAR BOLLARD



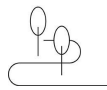
KORON COLLECTION

**Designed to last
No matter the conditions**

The KORON Collection combines classic lantern-inspired styling with advanced solar lighting technology, creating an elegant solution for pathways, parks, gardens, and residential landscapes. Crafted from durable die-cast aluminum and tempered glass, each fixture is designed to withstand harsh outdoor conditions while maintaining its timeless architectural appearance. Integrated high-efficiency solar panels and long-life LiFePO4 batteries provide reliable, energy-independent illumination without the need for electrical wiring. Available in both bollard and wall-mounted configurations, the collection offers versatile design options for a wide range of outdoor applications. The KORON Collection delivers a perfect balance of traditional aesthetics, modern performance, and sustainable lighting technology



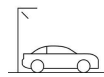
Park & Garden



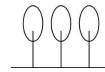
Hiking Trails



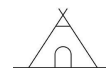
Places



Car Park & Rest



Pathways



Campsites



KORON COLLECTION

FIXTURE TYPE: _____

PROJECT NAME: _____

NOMINAL FLUX	420 LUMENS
NOMINAL POWER	3.5 WATTS



LIGHTING

Efficiency	120 Lumens/Watts
Chips LED	PHILIPS Luxeon 30-30
LED lifetime	Over 80 000 hours LM80
Optics/CCT	Symetric / 2300K to 6500K (Dual CCT optional)

BATTERY

Technology	Lithium Iron Phosphate LIFEPO4
Capacity	28Wh
Autonomy	Over 24 hours at full charge - 4 Rainy Days back up
Charging time	6 hours
Lifespan	Over 3000 CYCLES @ 80% DOD over 10 years Lifetime
Working temp	14°F to 158°F (optional -40°F to 158°F) -10°C to 70°C (optional -40°C TO 70°C)

ENERGY

Solar panel	6Wc
Cells type	Monocrystalline Panel Grade A 25 years
Certificates	IEC 61215 - IEC 61730 I and II - IEC 60904

ELECTRONIC

Sensor.....	PIR 180° sensor (optional)
-------------	----------------------------

OTHER OPTIONS

Materials	Die cast aluminum
Installation	Concrete base or insert on support

CERTIFICATIONS

IEC / TUV / EMC / LM-79- 08 AND LM-80 TEST STANDARDS / IK10+ / IP65 / CE / ULOR



* Bullard Solar offers a 5 Year Limited Warranty for the Post Top-Series luminaire shall be free from defects in material and workmanship for up to five (5) years from date of shipment. This limited warranty covers all components when installed and operated according to Bullard Solar instructions. Fixture suitable for ambient temperature from -10° to 50°. PV Panels - 20 year performance warranty Controller & Batteries: 5 years

Bullard Solar retains the right to modify or change product specifications without prior notice, as part of our ongoing commitment to improvement



Due to the dynamic nature of lighting products and the associated technologies, luminaire data on all specification sheets is subject to change at the discretion of Gordon Bullard LLC and associated companies.

ONE WITH THE SUN

sales@gordonbullard.com / www.bullardbollards.com / 1-877-964-4646
991 South Gull Lake Dr Richland, MI 49083 USA

FIXTURE TYPE: _____

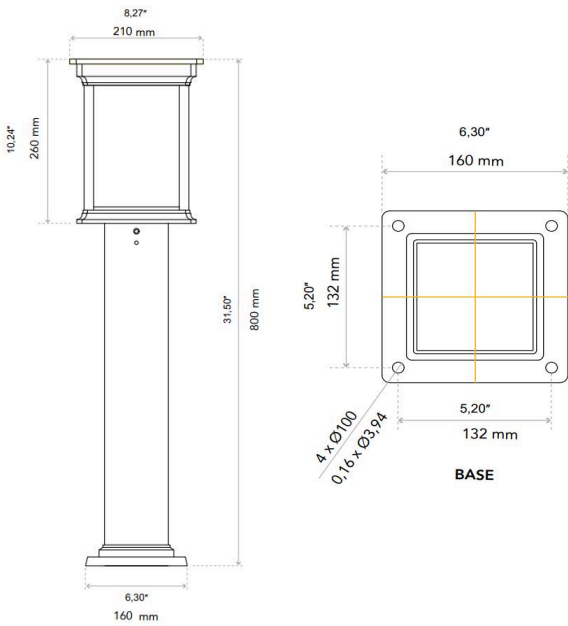
PROJECT NAME: _____

HOW TO ORDER:

CODE:

Example:
CODE: BS-KRN-SB-SLX-80-BL-30K

BS-KRN-SB-SLX-80-BL-30K



1 MODELS:

-80

DIMENSIONS:

Width - W: 8.27" (21 cm)
 Height - H: 31.50" (80 cm)
 Base - L: 6.30" (16 cm)
 Light Height 31.50" (80 cm)
 Carton size 33.46" x 12.60" x 13.00" (85 cm x 32 cm x 33 cm)
 Weight 12,79 lb (5.8 KG)

-45

DIMENSIONS:

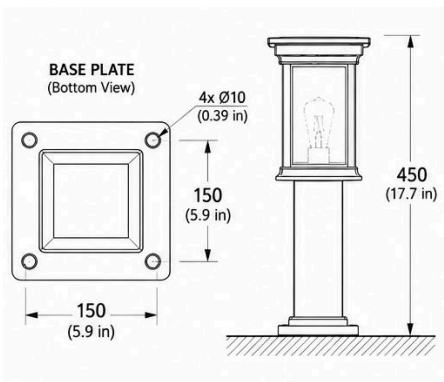
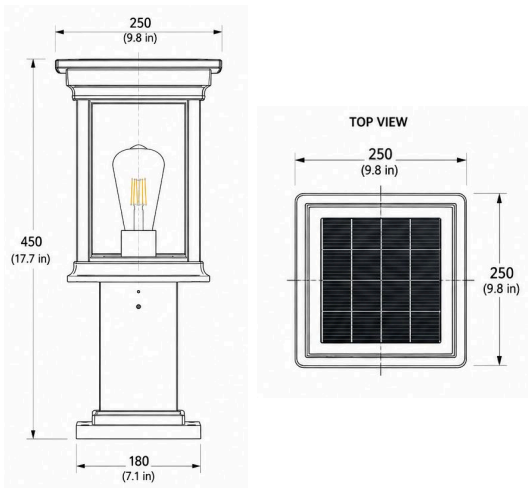
Width - W: 9.8" (25 cm)
 Height - H: 17.7" (45 cm)
 Base - L: 7.1" (18 cm)
 Light Height 17.7" (45 cm)
 Carton size 19.70" x 12.60" x 13.00" (50 cm x 32 cm x 33 cm)
 Weight 7,05lb (3.2 KG)

2 FINISH OPTIONS:

-BL Black
 -CUS Custom on request

3 CCT:

-23K 2300K
 -30K 3000K
 -40K 4000K
 -50K 5000K
 -65K 6500K



Due to the dynamic nature of lighting products and the associated technologies, luminaire data on all specification sheets is subject to change at the discretion of Gordon Bullard LLC and associated companies.

ONE WITH THE SUN

sales@gordonbullard.com / www.bullardbollards.com / 1-877-964-4646
 991 South Gull Lake Dr Richland, MI 49083 USA

FIXTURE TYPE: _____

PROJECT NAME: _____

 **IP65**

LUMINAIRE HOUSING & LEDS

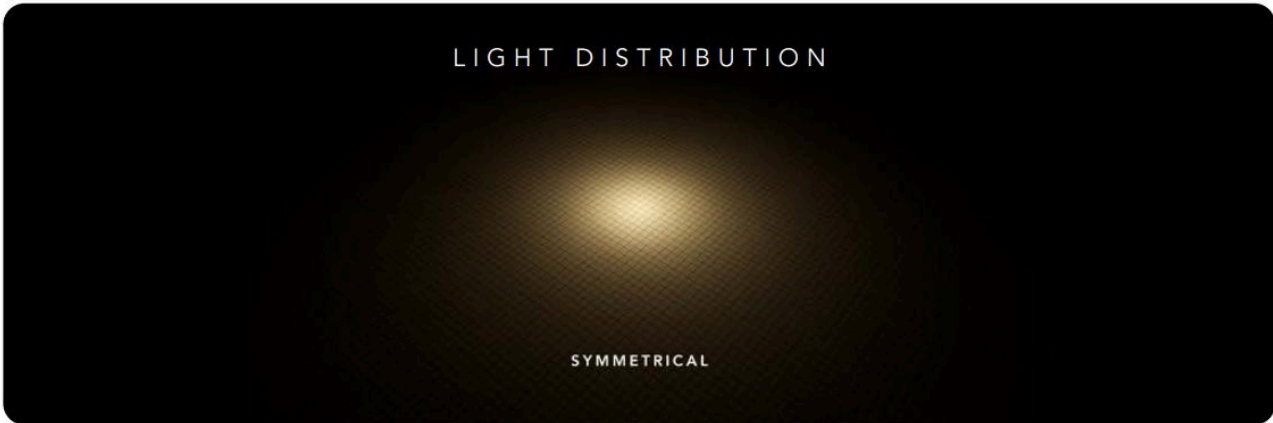
The KORON bollard incorporates the latest LED technologies, its elegance and ease of installation will meet your lighting needs. KORON 80 is equipped with LED chips, combining performance and robustness with 120 lumens per watt.



A TOTAL OF 420 LUMENS

Our light fixture also complies with current standards concerning light pollution.

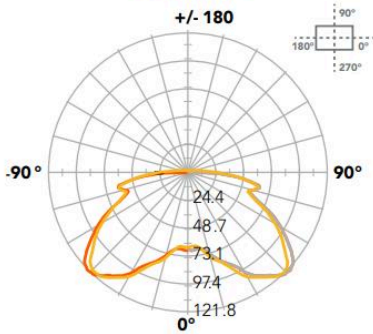
LIGHT DISTRIBUTION



PHOTOMETRIC CURVE

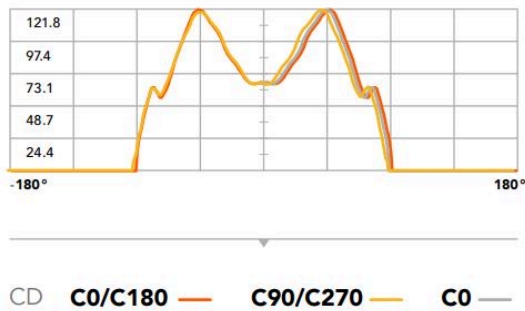
LIGHT DISTRIBUTION CURVE

UNIT : CD



LIGHT DISTRIBUTION CURVE

LINEAR



Due to the dynamic nature of lighting products and the associated technologies, luminaire data on all specification sheets is subject to change at the discretion of Gordon Bullard LLC and associated companies.

ONE WITH THE SUN

sales@gordonbullard.com / www.bullardbollards.com / 1-877-964-4646

991 South Gull Lake Dr Richland, MI 49083 USA

FIXTURE TYPE: _____

PROJECT NAME: _____

KORON COLLECTION

LIFEPO4 BATTERY



OVER 10 YEARS LIFESPAN

The KORON bollard is equipped with Lithium Iron Phosphate LIFEPO4 batteries, recognized as the best battery technology in terms of longevity, safety, and performance for solar applications. Our batteries enjoy a lifespan of over 3000 cycles, which is more than 10 years at 80% DOD.

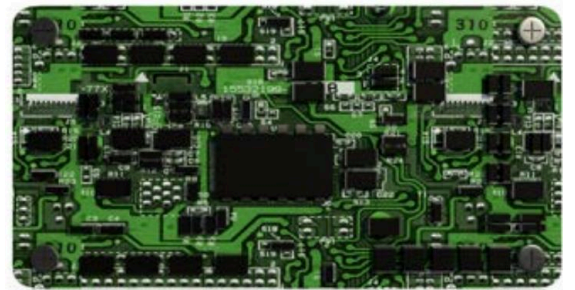
EXTREME TEMPERATURE

14°F to 158°F (-10 °C to 70°C)

When Standard Lithium LiFePo4 batteries enjoy a working temperature range from 14°F to 158°F (-10°C TO 70 °C), Bullard Solar offers as optional a new Special LIFEPO4 battery with working range of -40°F to 158°F (-40°C to 70°C)

BMS ELECTRONIC PROTECTION BATTERY MANAGEMENT SYSTEM

Our batteries are equipped with electronic circuit boards for a higher protection, ensuring battery functioning optimization in any situation.



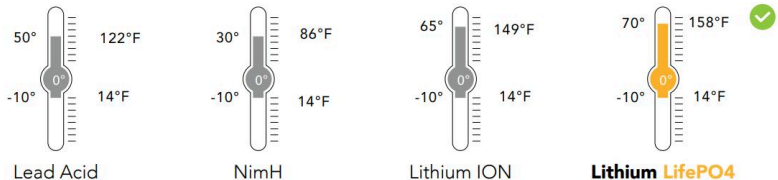
THE BMS PROTECTS AGAINST
OVER/UNDER CURRENT • OVERLOAD • OVER/UNDER VOLTAGE
• OVER/UNDER CHARGE • TEMPERATURE MANAGEMENT

COMPARISONS OF DIFFERENT BATTERY TECHNOLOGIES

LIFETIME & CYCLES AT 80% DOD*
Comparison of different battery technologies



CHARGING TEMPERATURE RANGE WITHOUT CAPACITY LOSS
Minimum & Maximum temperature range for Optimal charging during the day




Due to the dynamic nature of lighting products and the associated technologies, luminaire data on all specification sheets is subject to change at the discretion of Gordon Bullard LLC and associated companies.

ONE WITH THE SUN

sales@gordonbullard.com / www.bullardbollards.com / 1-877-964-4646
991 South Gull Lake Dr Richland, MI 49083 USA

FIXTURE TYPE: _____

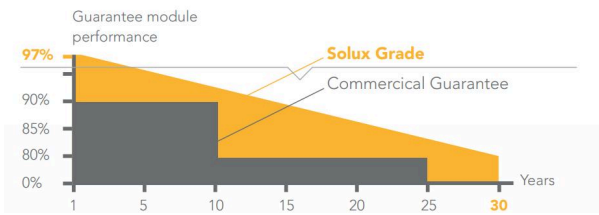
PROJECT NAME: _____

SOLAR PANEL

6 WATTS

Encapsulated Monocrystalline Solar Panel Grade A Solar Cell with Tempered Glass.

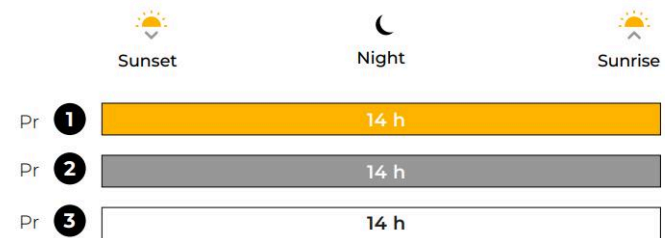
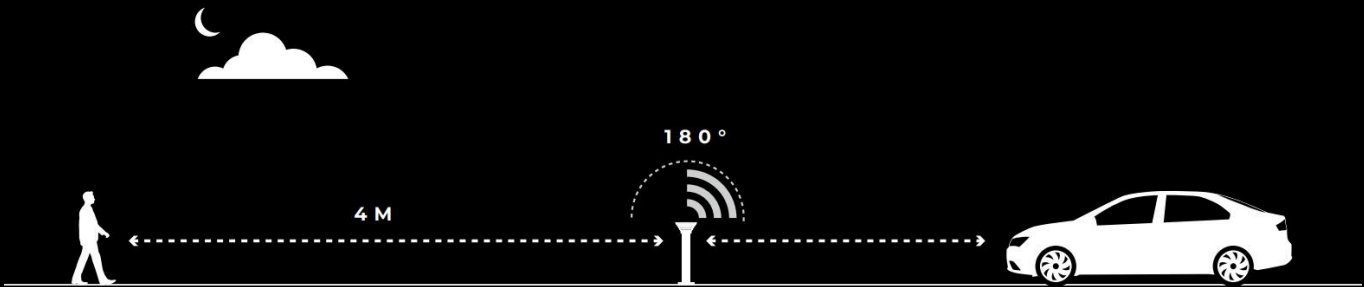
OUR PV PERFORMANCE GUARANTEE



PRESENCE DETECTOR INFRARED SENSOR

THE KORON BOLLARD AUTOMATICALLY TURNS ON AT DUSK AND OFF AT DAWN.

BULLARD SOLAR offers optional PIR movement sensor. The infra red detector integrated into the light fixture will increase the light power as pedestrians or vehicles pass, thus providing a higher level of safety while respecting the environment.



Depending on the geographical area, we will select the % of light reduction.

- Program 1** > 40% Dim + 100% ON during 20 sec
- Program 2** > 30% Dim + 100% ON during 20 sec
- Program 3** > 20% Dim + 100% ON during 20 sec

OUR DIMMING PROGRAM WILL BE CUSTOMIZED TO YOUR GEOGRAPHICAL LOCATION FOR OPTIMAL EFFICIENCY.



Due to the dynamic nature of lighting products and the associated technologies, luminaire data on all specification sheets is subject to change at the discretion of Gordon Bullard LLC and associated companies.

ONE WITH THE SUN

sales@gordonbullard.com / www.bullardbollards.com / 1-877-964-4646
991 South Gull Lake Dr Richland, MI 49083 USA

FIXTURE TYPE: _____

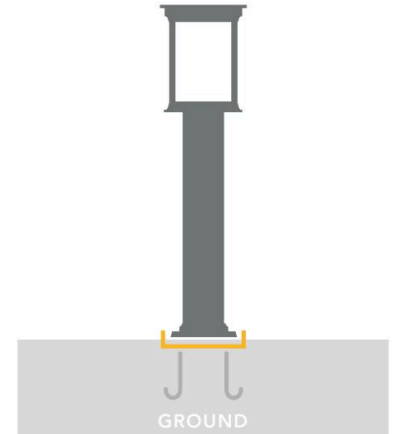
PROJECT NAME: _____

KORON COLLECTION

EASY INSTALLATION

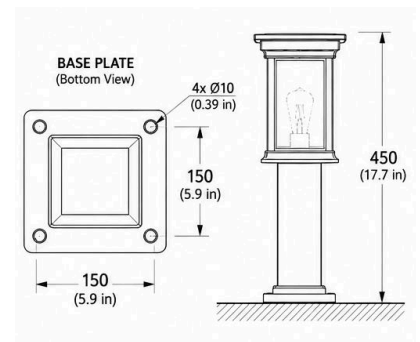
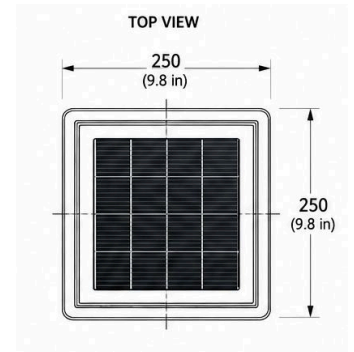
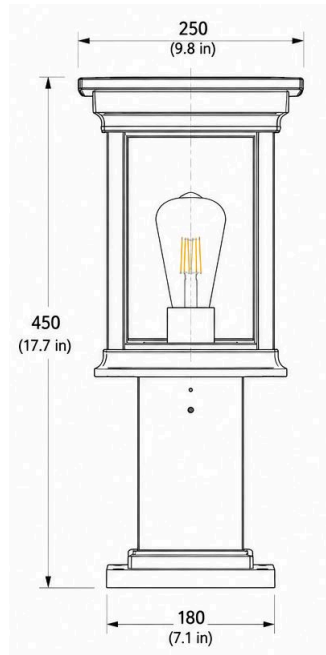
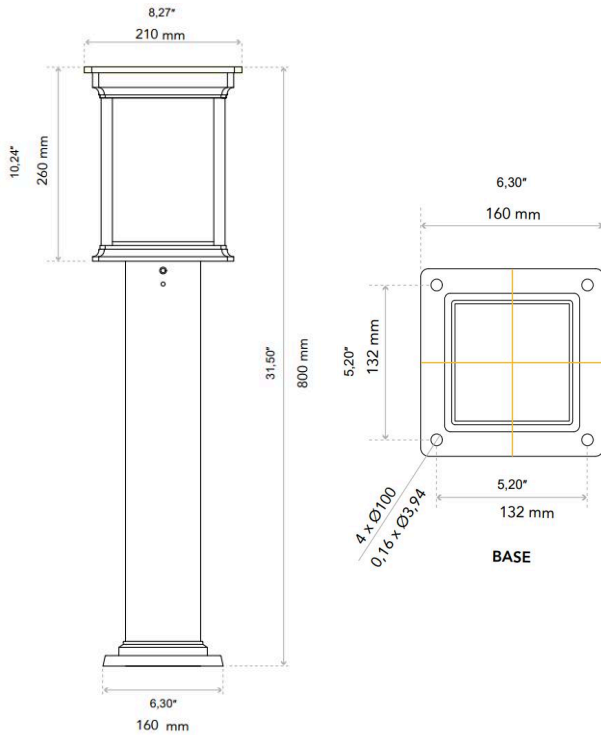
NO CABLING & NO TRENCHING

No wiring or trenching is necessary, you just need to embed the SLINDA on anchor rods.



FLAT MOUNT

BOLLARD AND BASE



Due to the dynamic nature of lighting products and the associated technologies, luminaire data on all specification sheets is subject to change at the discretion of Gordon Bullard LLC and associated companies.

ONE WITH THE SUN

sales@gordonbullard.com / www.bullardbollards.com / 1-877-964-4646

991 South Gull Lake Dr Richland, MI 49083 USA