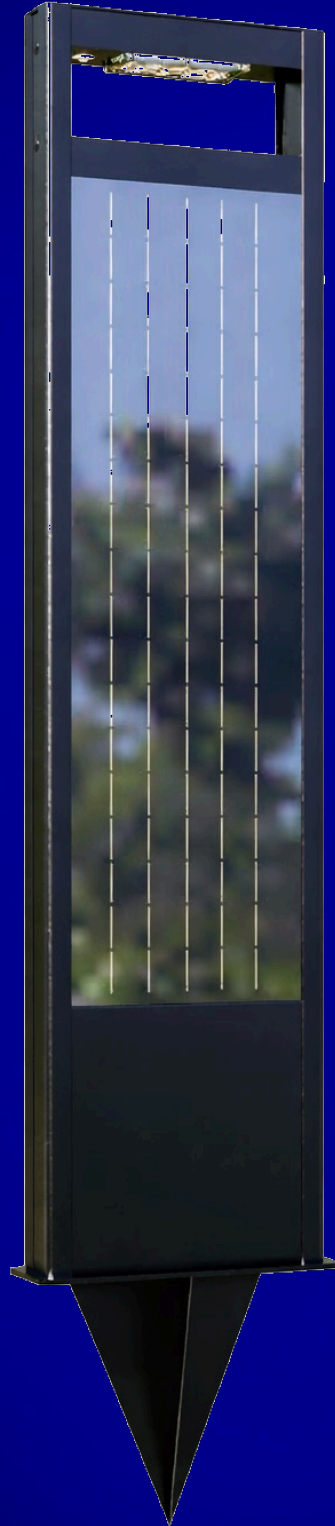


**BULLARD  
SOLAR**  
One with the Sun

# SOLIS COLUMN

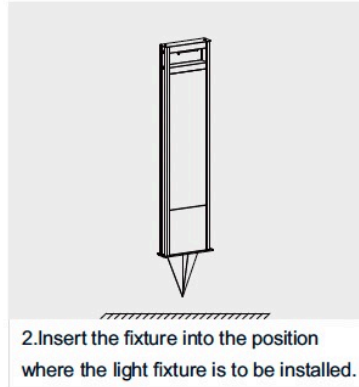
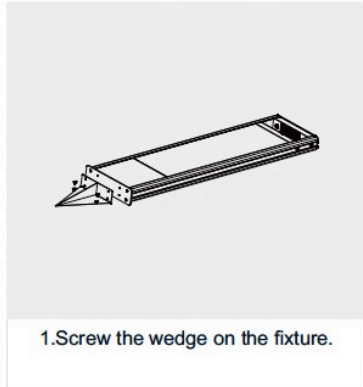
INSTALLATION TYPE:  
BOLLARDS



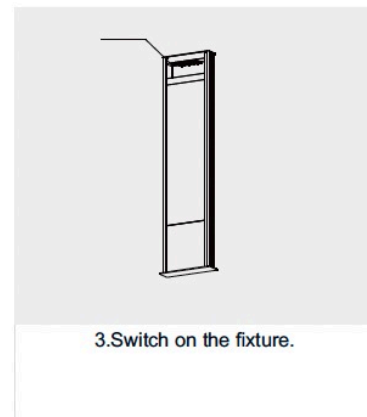
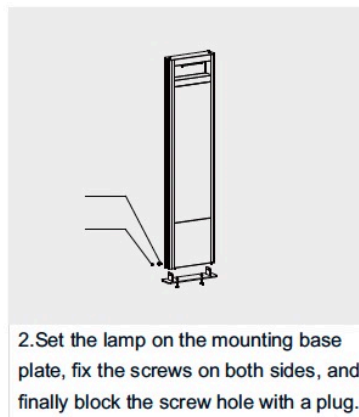
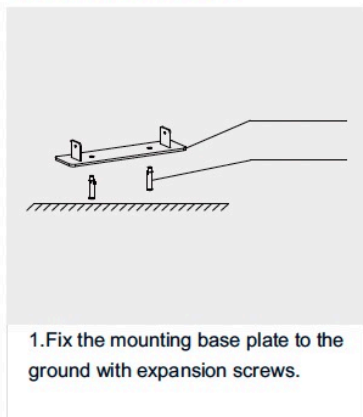


For high performance and long term reliability, the light should be installed in free air.

◆ **Mounting Wedge**

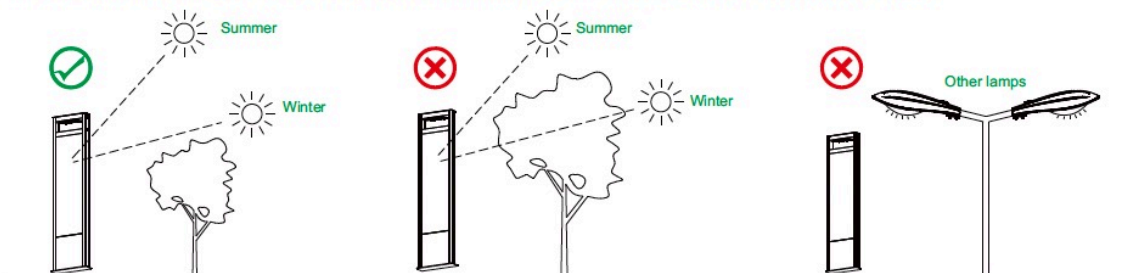


◆ **Anchor Base**



◆ **Attention**

The solar panel need to face the direction of the sun and there are no obstructions such as leaves or houses.



1. The solar lamp installation position needs to make the solar panel face the sun, and there should be no obstructions such as leaves, houses, etc.

2. The solar lamp installation location should not be illuminated by other light sources.

[sales@gordonbullard.com](mailto:sales@gordonbullard.com)  
[www.bullardsolar.com](http://www.bullardsolar.com)  
1 877-964-4646



991 South Gull Lake Dr.  
Richland, MI 49083  
USA