



**BULLARD
SOLAR**
One with the Sun

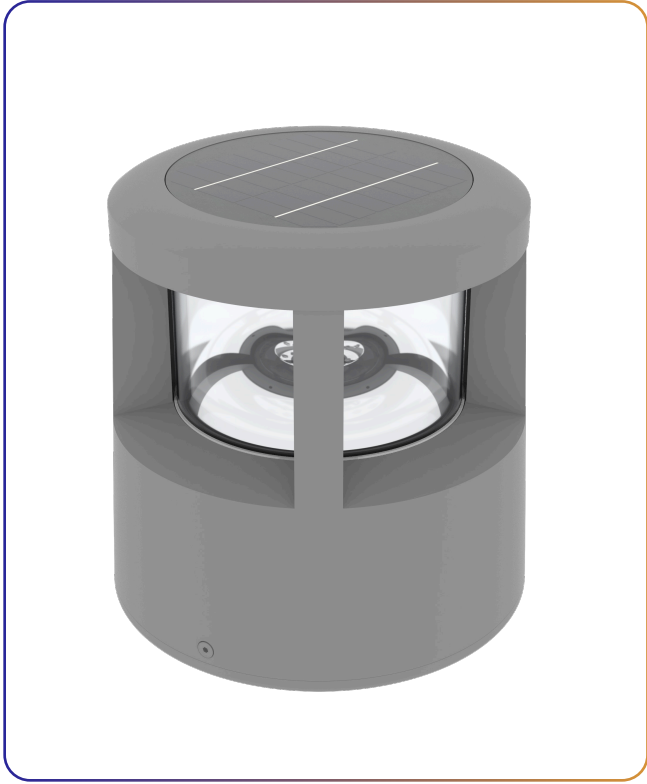
**KOTO
SOLAR BOLLARD**





FIXTURE TYPE: _____

PROJECT NAME: _____



Parks & gardens



Pathways



Campsites

CERTIFICATIONS

**IEC / TUV / EMC / LM-79- 08
AND LM-80 TEST STANDARDS
/ IK8 / IP65 / CE / ULOR**

**5
YEARS**

Bullard Solar offers a 5 Year Limited Warranty for the Solar Bullard-Series luminaire to be free from defects in material and workmanship for up to five (5) years from date of shipment. This limited warranty covers all components when installed and operated according to Bullard Solar instructions. Fixture suitable for ambient temperature from -10° to 50°. PV Panels - 20 year performance warranty Controller & Batteries: 5 years

GENERAL INFORMATION:

Designed in aluminum and treated to withstand the harshest conditions, the KOTO by BULLARD SOLAR will be perfect for all your lighting, marking, and beautification applications for your outdoor living spaces with total energy autonomy. Equipped with high-efficiency solar cells, the light fixture charges in the sun but also in cloudy weather, ensuring optimal lighting throughout the year.

NOMINAL FLUX 250 LUMENS
NOMINAL POWER 1.8 WATTS

LIGHTING

Efficiency 120 Lumens/Watts
Chips LED PHILIPS Luxeon 30-30
LED lifetime Over 80 000 hours LM80
Optics/CCT T-V / 2300K to 6500K (Dual CCT optional)
Light Height 25 cm (9.84")

BATTERY

Technology Lithium Iron Phosphate LIFEPO4
Capacity 28Wh
Autonomy Over 24 hours at full charge - 4 Rainy Days back up
Charging time 6 hours
Lifespan Over 3000 CYCLES @ 80% DOD over 10 years Lifetime
Working temp 14° F to 158° F (optional -40° F to 158 °F) -10°C to 70° C (optional -40°C TO 70° C)

ENERGY

Solar panel 4.5 Wc
Cells type Monocrystalline Panel Grade A 25 years
Certificates IEC 61215 - IEC 61730 I and II - IEC 60904

DIMENSIONS

Product 9.65" x 8.66" x 9.45" (24.5 cm x 22 cm x 24 cm)
Carton size 12.20" x 11.81" x 12.60" (31 cm x 30 cm x 32 cm)
Weight 4.7 KG (10,36lb)
Materials Die cast aluminum
Installation Concrete base or insert on support
Product code SL-014

Bullard Solar retains the right to modify or change product specifications without prior notice, as part of our ongoing commitment to improvement

ONE WITH THE SUN

sales@gordonbullard.com
www.bullardsolar.com
1-877-964-4646



991 South Gull Lake Dr
Richland, MI 49083
USA

FIXTURE TYPE: _____

PROJECT NAME: _____

 **IP65**

LUMINAIRE & LEDS

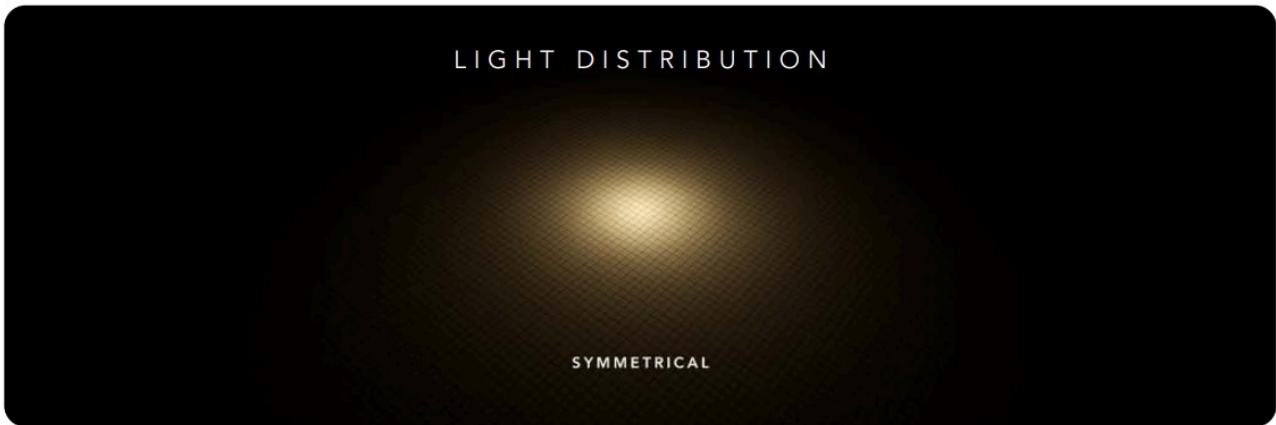
The KOTO bollard incorporates the latest LED technologies, its elegance and ease of installation will meet your lighting needs. KOTO is equipped with LED chips, combining performance and robustness with 120 lumens per watt.

A TOTAL OF 250 LUMENS

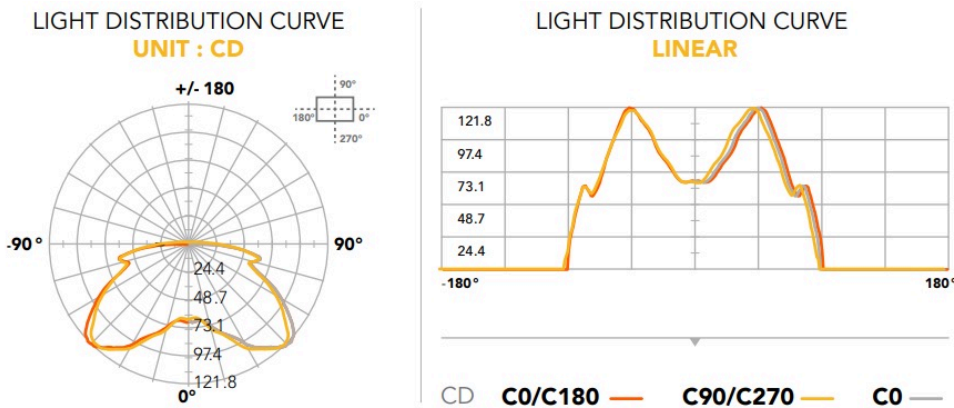
Our light fixture also complies with current standards concerning light pollution.



SYMMETRICAL DISTRIBUTION



PHOTOMETRIC CURVE



ONE WITH THE SUN

sales@gordonbullard.com
www.bullardsolar.com
1-877-964-4646



991 South Gull Lake Dr
Richland, MI 49083
USA

FIXTURE TYPE: _____

PROJECT NAME: _____

OVER 10 YEARS LIFESPAN

The KOTO bollard is equipped with Lithium Iron Phosphate LIFEPO4 batteries, recognized as the best battery technology in terms of longevity, safety, and performance for solar applications. Our batteries enjoy a lifespan of over 3000 cycles, which is more than 10 years at 80% DOD.

EXTREME TEMPERATURE

14°F to 158°F
-10 °C to 70 °C

While standard batteries benefit from an operating temperature of -10°C to 70°C, Bullard Solar offers as optional a new Special LIFEPO4 battery with working range of -40°F to 158°F / -40°C to 70°C .

BATTERY LIFEPO4

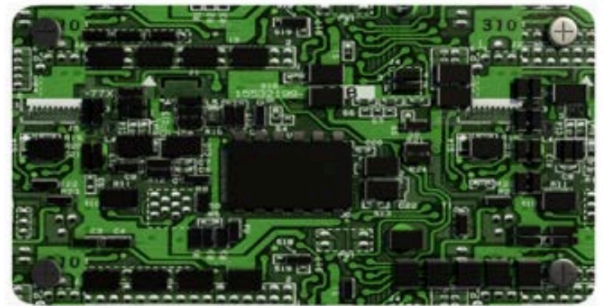


BMS ELECTRONIC PROTECTION BATTERY MANAGEMENT SYSTEM

Our batteries are equipped with electronic circuit boards for a higher protection, ensuring battery functioning optimization in any situation.

THE BMS PROTECTS AGAINST

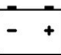
OVER/UNDER CURRENT • OVERLOAD • OVER/UNDER VOLTAGE
• OVER/UNDER CHARGE • TEMPERATURE MANAGEMENT

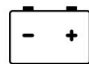


COMPARISONS OF DIFFERENT BATTERY TECHNOLOGIES

LIFETIME & CYCLES AT 80% DOD*
Comparison of different battery technologies

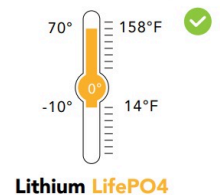
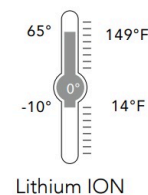
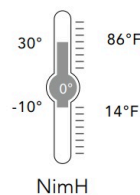
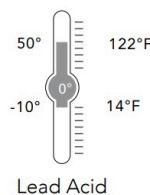

Lead Acid
200


NimH
700


Lithium ION
800


Lithium LifePO4
3 000

**CHARGING TEMPERATURE RANGE
WITHOUT CAPACITY LOSS**
*Minimum & Maximum temperature range for
Optimal charging during the day*



ONE WITH THE SUN

sales@gordonbullard.com
www.bullardsolar.com
1-877-964-4646



991 South Gull Lake Dr
Richland, MI 49083
USA

FIXTURE TYPE: _____

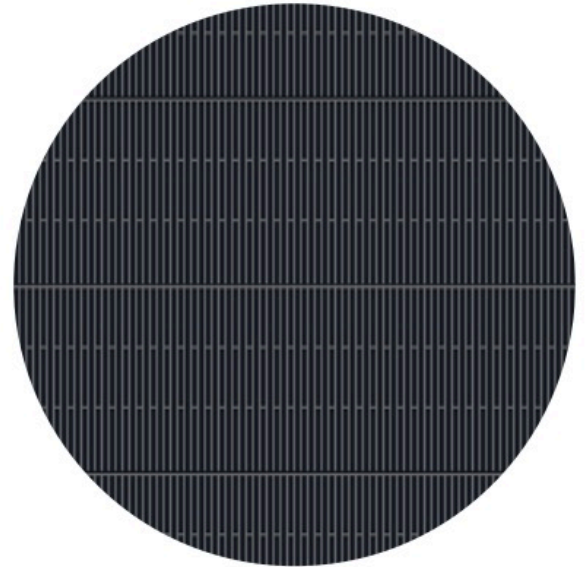
PROJECT NAME: _____

Solar cells **GRADE A**

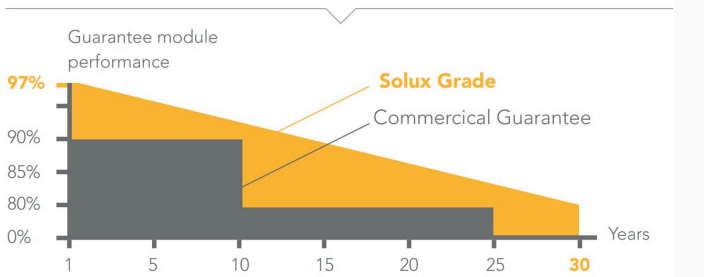
SOLAR PANEL

4.5 WATTS

Encapsulated Monocrystalline Solar Panel Grade A Solar Cell with Tempered Glass.



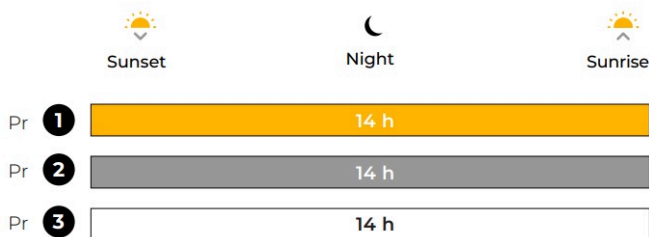
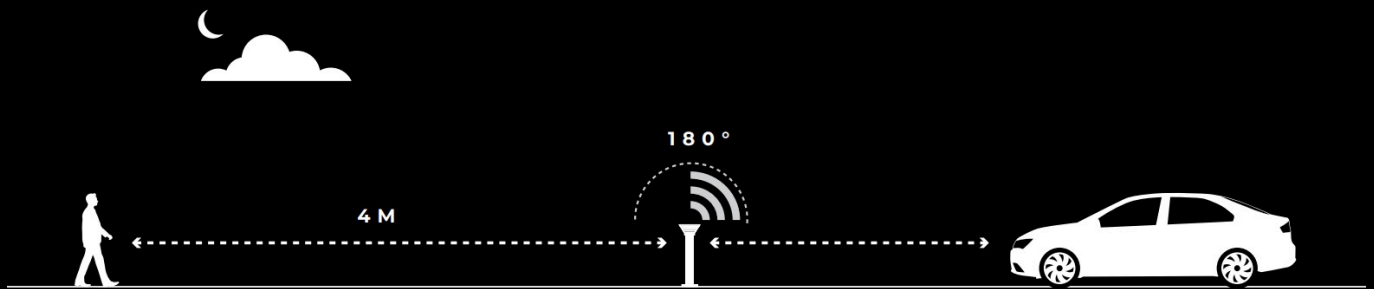
OUR PV PERFORMANCE GUARANTEE



PRESENCE DETECTOR INFRA-RED SENSOR

THE KOTO BOLLARD AUTOMATICALLY TURNS ON AT DUSK AND OFF AT DAWN.

BULLARD SOLAR offers optional PIR movement sensor. The infra red detector integrated into the light fixture will increase the light power as pedestrians or vehicles pass, thus providing a higher level of safety while respecting the environment.



Depending on the geographical area, we will select the % of light reduction.

- **Program 1** > 40% Dim + 100% ON during 20 sec
- **Program 2** > 30% Dim + 100% ON during 20 sec
- **Program 3** > 20% Dim + 100% ON during 20 sec

ONE WITH THE SUN

sales@gordonbullard.com
www.bullardsolar.com
1-877-964-4646



991 South Gull Lake Dr
Richland, MI 49083
USA

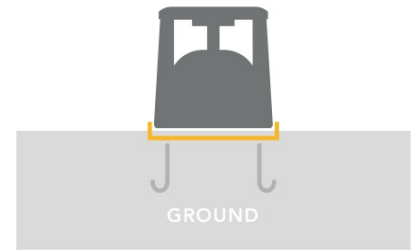
FIXTURE TYPE: _____

PROJECT NAME: _____

EASY INSTALLATION

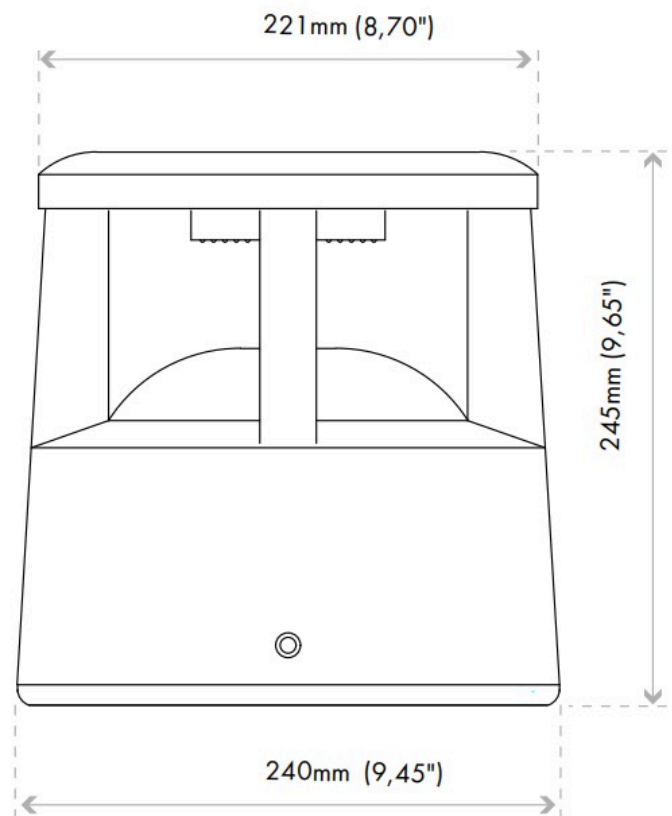
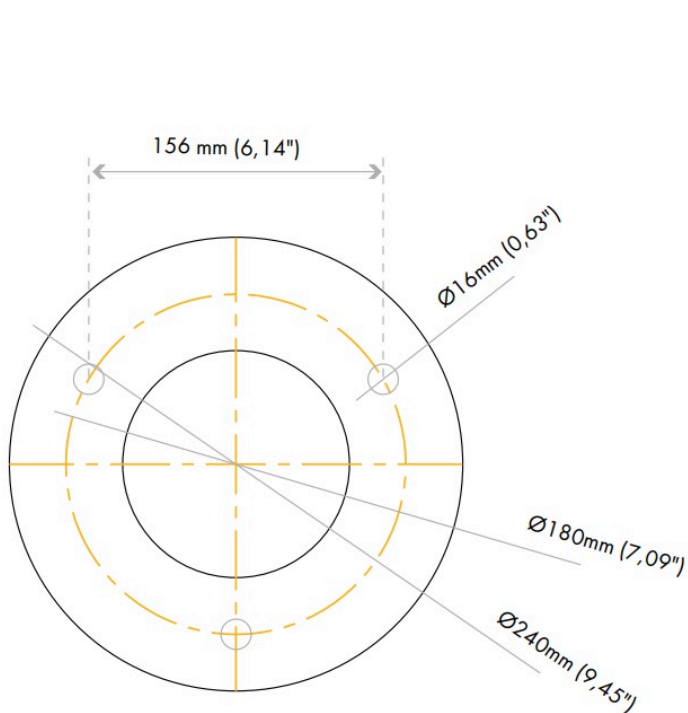
NO CABLING & TRENCHING

No wiring or trenching is necessary, you just need to embed the KOTO on anchor rods.



FLAT MOUNT

DIMENSIONS



ONE WITH THE SUN

sales@gordonbullard.com
www.bullardsolar.com
1-877-964-4646



991 South Gull Lake Dr
Richland, MI 49083
USA



FIXTURE TYPE: _____

PROJECT NAME: _____

HOW TO ORDER:

CODE:

Example:
CODE: SL-014-24-BL-23K

SL-014-24-
BL-23K

1 DIMENSIONS:

-24

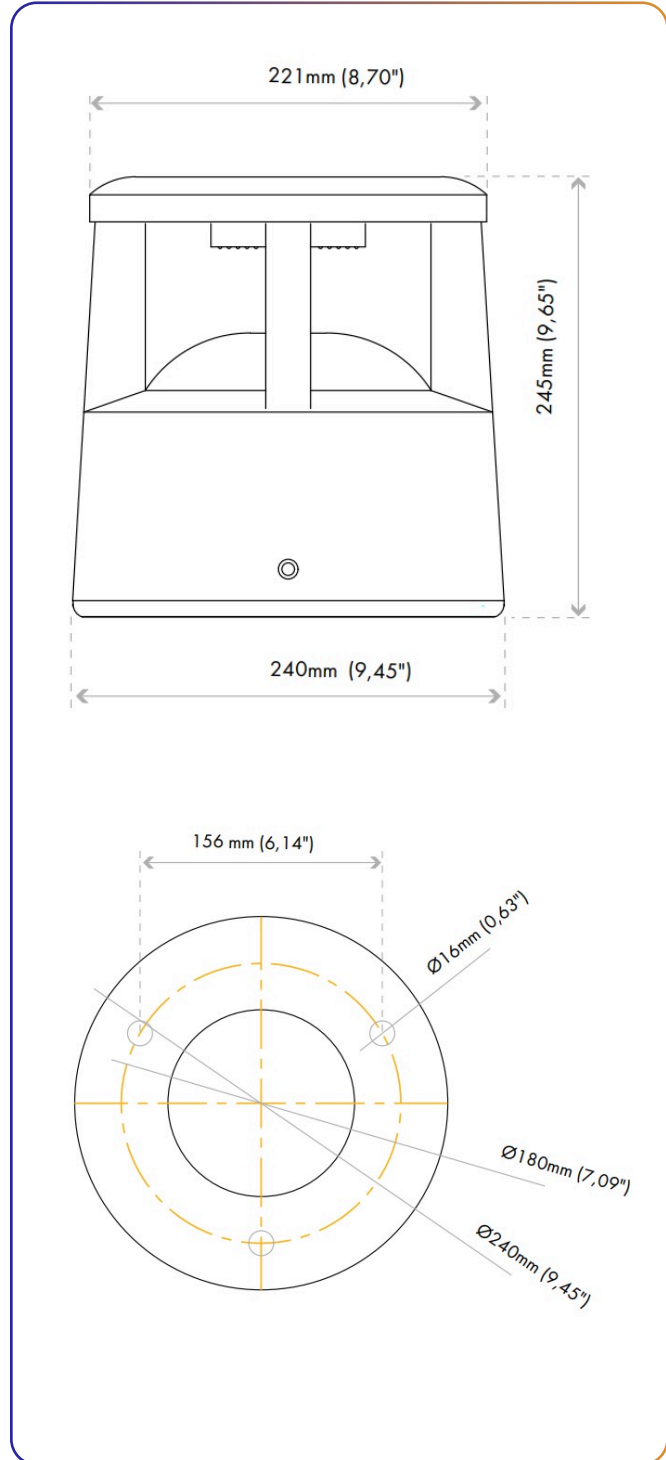
-24
Ø: 8.70" (22 cm)
H: 9.65" (24.5 cm)

2 FINISH OPTIONS:

-GR Grey
-BL Black

3 CCT:

-23K 2300K
-30K 3000K
-40K 4000K
-50K 5000K
-65K 6500K



ONE WITH THE SUN

sales@gordonbullard.com
www.bullardsolar.com
1-877-964-4646



991 South Gull Lake Dr
Richland, MI 49083
USA