



VISION

VANDAL RESISTANT

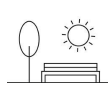
Solar Bollard



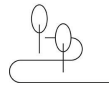
VISION COLLECTION

Designed to last
No matter the conditions

The VISION bollard is designed and built to achieve the highest Vandal-resistant rating, IK10+. Nearly impossible to break, it is an ideal choice for high-traffic areas where vandalism may occur. In addition to its resistance, the VISION bollard is fully waterproof with an IP67 rating, allowing for safe use in flooded areas and other wet environments.



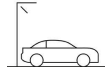
Park & Garden



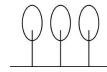
Hiking Trails



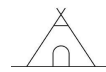
Places



Car Park & Rest



Pathways



Campsites



VISION COLLECTION

FIXTURE TYPE: _____

PROJECT NAME: _____

NOMINAL FLUX 588 LUMENS
NOMINAL POWER 3 WATTS

LIGHTING

Efficiency 196 Lumens/Watts
Chips LED PHILIPS Luxeon 30-30
LED lifetime Over 80 000 hours LM80
Optics/CCT Asymetric & Symetric / 2300K to 6500K (Dual CCT optional)

BATTERY

Technology Lithium Iron Phosphate LIFEPO4
Capacity 38Wh
Autonomy Over 24 hours at full charge - 4 Rainy Days back up
Charging time 6 hours
Lifespan Over 3000 CYCLES @ 80% DOD over 10 years Lifetime
Working temp 14°F to 158°F (optional -40°F to 158°F) -10°C to 70°C (optional -40°C TO 70°C)

ENERGY

Solar panel 6,3Wc
Cells type Monocrystalline Panel Grade A 25 years
Certificates IEC 61215 - IEC 61730 I and II - IEC 60904

ELECTRONIC

Sensor..... Microwave 270° Motion Sensor

OTHER OPTIONS

Materials Aluminium & polycarbonate
Installation Bolt Down or Inground system

CERTIFICATIONS

IEC / TUV / EMC / LM-79- 08 AND LM-80 TEST STANDARDS / IK10+ / IP65 / CE / ULOR



* Bullard Solar offers a 5 Year Limited Warranty for the Post Top-Series luminaire shall be free from defects in material and workmanship for up to five (5) years from date of shipment. This limited warranty covers all components when installed and operated according to Bullard Solar instructions. Fixture suitable for ambient temperature from -10° to 50°. PV Panels - 20 year performance warranty Controller & Batteries: 5 years

Bullard Solar retains the right to modify or change product specifications without prior notice, as part of our ongoing commitment to improvement



Due to the dynamic nature of lighting products and the associated technologies, luminaire data on all specification sheets is subject to change at the discretion of Gordon Bullard LLC and associated companies.

ONE WITH THE SUN

sales@gordonbullard.com / www.bullardbollards.com / 1-877-964-4646
991 South Gull Lake Dr Richland, MI 49083 USA

FIXTURE TYPE: _____

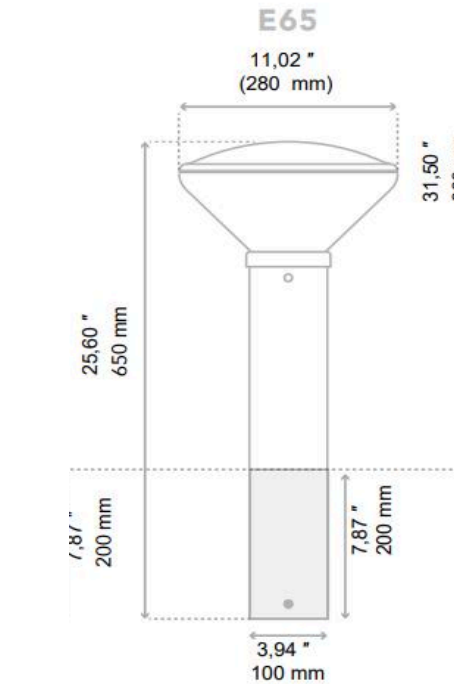
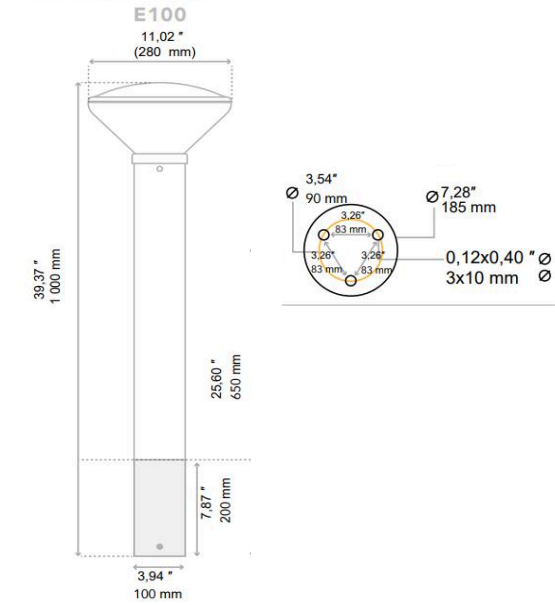
PROJECT NAME: _____

HOW TO ORDER:

CODE:

Example:
CODE: BS-VSN-SLX-E100-BL-30K

BS-VSN-SLX-
E100-BL-30K





Due to the dynamic nature of lighting products and the associated technologies, luminaire data on all specification sheets is subject to change at the discretion of Gordon Bullard LLC and associated companies.

1 MODELS:

-E100

DIMENSIONS:

- Diameter - Ø: 11.02" (28 cm)
- Height - H: 39.37" (100 cm)
- Base - L: 3.94" (10 cm)
- Light Height 31.5" (80 cm)
- Carton size 42.9" x 28.7" x 30.3" (1090 x 730 x 770 (4 pcs / Ctn))
- Weight 11.7 lb (5,3 KG)

-E65

DIMENSIONS:

- Diameter - Ø: 11.02" (28 cm)
- Height - H: 25.6" (65 cm)
- Base - L: 3.94" (10 cm)
- Light Height 17.7" (45 cm)
- Carton size 29.5" x 28.7" x 30.3" (750 x 730 x 770 (4 pcs / Ctn))
- Weight 9.5 lb (4,3 KG)

-B80

DIMENSIONS:

- Diameter - Ø: 11.02" (28 cm)
- Height - H: 31.50" (80 cm)
- Base - L: 7.28" (18.5 cm)
- Light Height 31.5" (80cm)
- Carton size 42.91" x 28.74" x 30.31" (109 cm x 73 cm x 77 cm)
(4 pcs/Ctn)
- Weight 11,464 lb (5.2 KG)

-B45

DIMENSIONS:

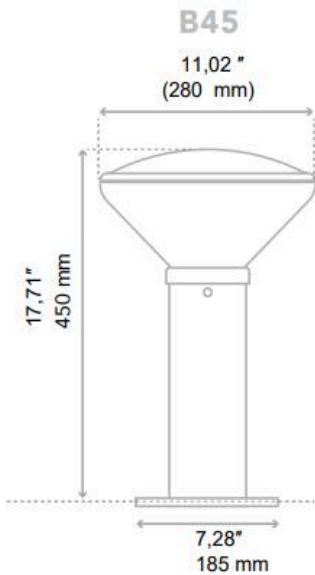
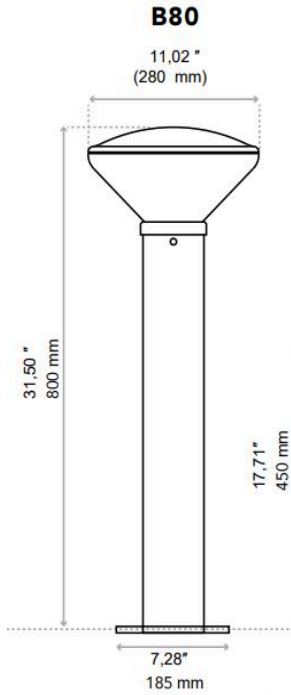
- Diameter - Ø: 11.02" (28 cm)
- Height - H: 17.7" (45 cm)
- Base - L: 7.28" (18.5 cm)
- Light Height 17.7" (45 cm)
- Carton size 20.9" x 28.7" x 30.3" (530 x 730 x 770 (4 pcs / Ctn))
- Weight 9.3lb (4,2 KG)

ONE WITH THE SUN

sales@gordonbullard.com / www.bullardbollards.com / 1-877-964-4646
991 South Gull Lake Dr Richland, MI 49083 USA

FIXTURE TYPE: _____

PROJECT NAME: _____



HOW TO ORDER:

CODE:

Example:
CODE: BS-VSN-SLX-E100-BL-30K

BS-VSN-SLX-
E100-BL-30K

2 FINISH OPTIONS:

- BL Black
- CUS Custom on request

3 CCT:

- 23K 2300K
- 30K 3000K
- 40K 4000K
- 50K 5000K
- 65K 6500K



Due to the dynamic nature of lighting products and the associated technologies, luminaire data on all specification sheets is subject to change at the discretion of Gordon Bullard LLC and associated companies.

ONE WITH THE SUN

sales@gordonbullard.com / www.bullardbollards.com / 1-877-964-4646
991 South Gull Lake Dr Richland, MI 49083 USA

VISION

FIXTURE TYPE: _____

PROJECT NAME: _____

LUMINAIRE HOUSING & LEDS

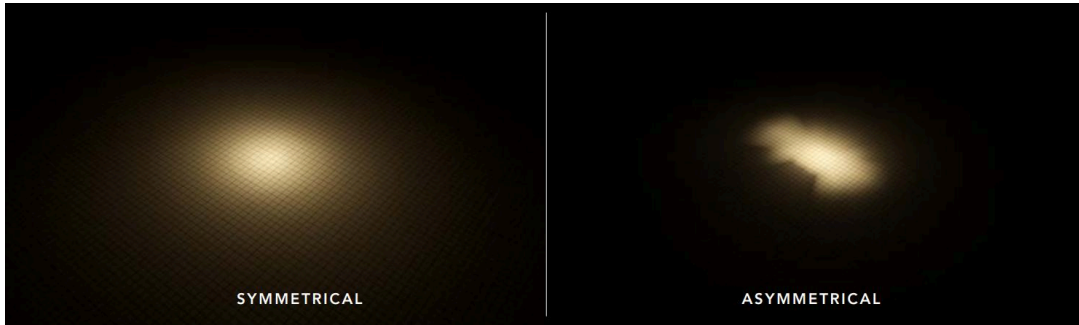
The high-housing and dome are constructed using SABIC Lexan polycarbonate, ensuring durability and protection against UV ray and a guarantee against yellowing. The luminaire's unique design and shape make it almost indestructible, and it meets without any effort IK10+ certification standards.

A TOTAL OF 588 LUMENS

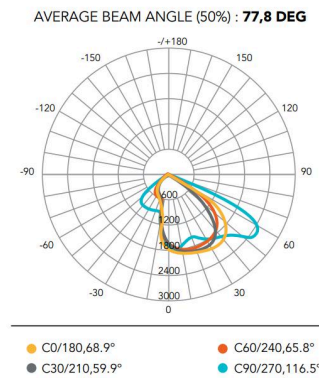
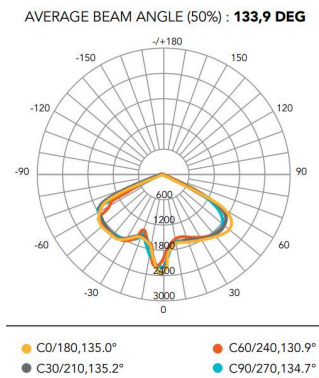
The VISION is equipped with 10 Philips LUXEON LEDs which provide each an impressive 196 Lumens per Watt. These LEDs are integrated into the upper part of the dome and come equipped with custom optics for exceptional light distribution.



LIGHT DISTRIBUTION



PHOTOMETRIC CURVE




Due to the dynamic nature of lighting products and the associated technologies, luminaire data on all specification sheets is subject to change at the discretion of Gordon Bullard LLC and associated companies.

ONE WITH THE SUN

sales@gordonbullard.com / www.bullardbollards.com / 1-877-964-4646
991 South Gull Lake Dr Richland, MI 49083 USA

VISION

FIXTURE TYPE: _____

PROJECT NAME: _____

OVER 10 YEARS LIFESPAN

The VISION Series features an advanced Iron Phosphate Lithium LiFePo4 battery, widely recognized as the best chemical technology for solar applications. With a remarkable life cycle of over 3000 cycles at 80% DOD, this battery provides reliable and efficient power for over 10 years.

LIFEPO4 BATTERY



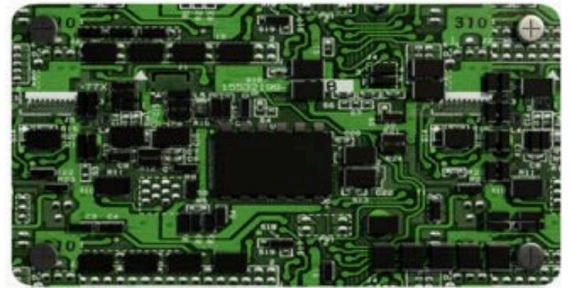
EXTREME TEMPERATURE

14°F to 158°F (-10 °C to 70°C)

When Standard Lithium LiFePo4 batteries enjoy a working temperature range from 14°F to 158°F (-10°C TO 70 °C), Bullard Solar offers as optional a new Special LIFEPO4 battery with working range of -40°F to 158°F (-40°C to 70°C)

BMS ELECTRONIC PROTECTION BATTERY MANAGEMENT SYSTEM

Our batteries are equipped with electronic circuit boards for a higher protection, ensuring battery functioning optimization in any situation.



THE BMS PROTECTS AGAINST
OVER/UNDER CURRENT • OVERLOAD • OVER/UNDER VOLTAGE
• OVER/UNDER CHARGE • TEMPERATURE MANAGEMENT

COMPARISONS OF DIFFERENT BATTERY TECHNOLOGIES

LIFETIME & CYCLES AT 80% DOD*
Comparison of different battery technologies



Lead Acid
200



NimH
700

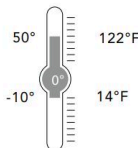


Lithium ION
800

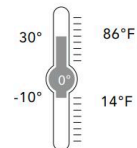


Lithium LifePO4
3 000

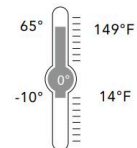
**CHARGING TEMPERATURE RANGE
WITHOUT CAPACITY LOSS**
*Minimum & Maximum temperature range for
Optimal charging during the day*



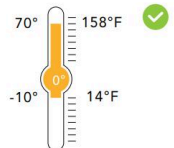
Lead Acid



NimH



Lithium ION



Lithium LifePO4



Due to the dynamic nature of lighting products and the associated technologies, luminaire data on all specification sheets is subject to change at the discretion of Gordon Bullard LLC and associated companies.

ONE WITH THE SUN

sales@gordonbullard.com / www.bullardbollards.com / 1-877-964-4646
991 South Gull Lake Dr Richland, MI 49083 USA

VISION

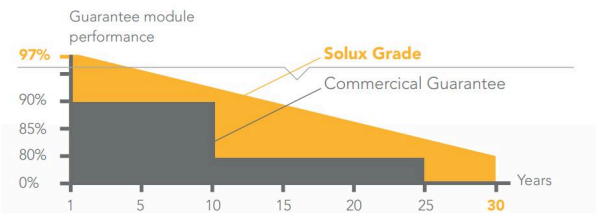
FIXTURE TYPE: _____

PROJECT NAME: _____

6,3 WATTS 6V

Encapsulated Monocrystalline Solar Panel Grade A Solar Cell with Tempered Glass.

OUR PV PERFORMANCE GUARANTEE

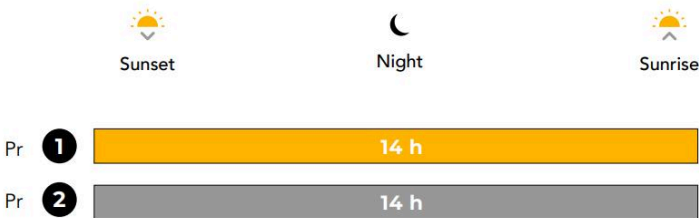
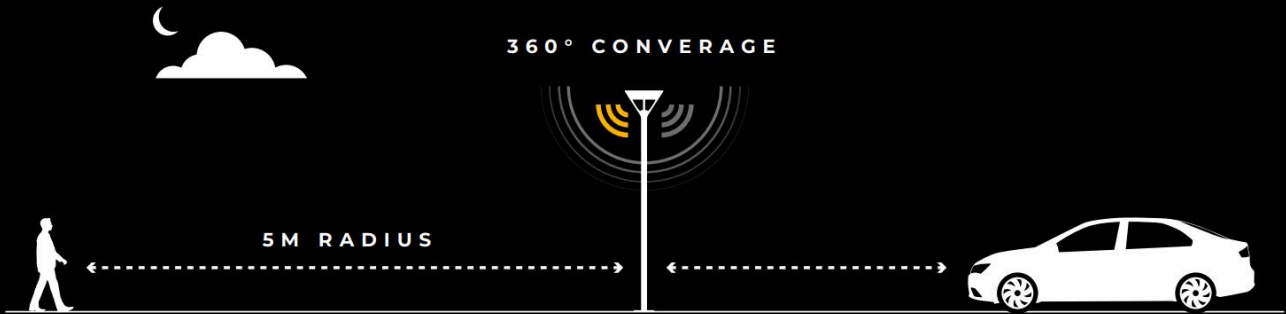


SOLAR PANEL



MOTION SENSOR MICROWAVE

THE PHOTSENSOR AUTOMATICALLY TURNS THE LIGHT ON AT DUSK AND TURNS IT OFF AT DAWN. The Microwave Motion Sensor with 270 coverage is invisible and integrated to the luminaire housing. It detects any presence and turn the light to full power when it is triggered.



- Program 1**
30% Dim + 100% Power for 20 sec when triggered
- Program 2**
20% Dim + 100% Power for 20 sec when triggered

OUR DIMMING PROGRAM WILL BE CUSTOMIZED TO YOUR GEOGRAPHICAL LOCATION FOR OPTIMAL EFFICIENCY.



Due to the dynamic nature of lighting products and the associated technologies, luminaire data on all specification sheets is subject to change at the discretion of Gordon Bullard LLC and associated companies.

ONE WITH THE SUN

sales@gordonbullard.com / www.bullardbollards.com / 1-877-964-4646
991 South Gull Lake Dr Richland, MI 49083 USA

VISION

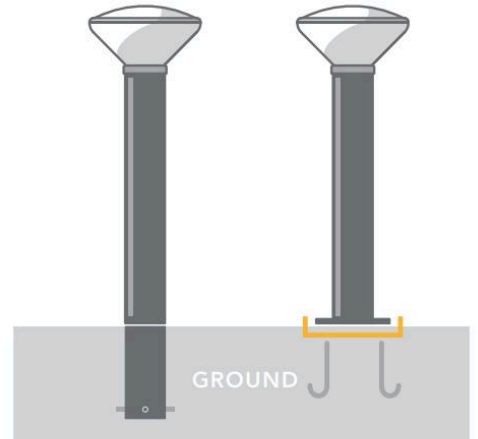
FIXTURE TYPE: _____

PROJECT NAME: _____

EASY INSTALLATION

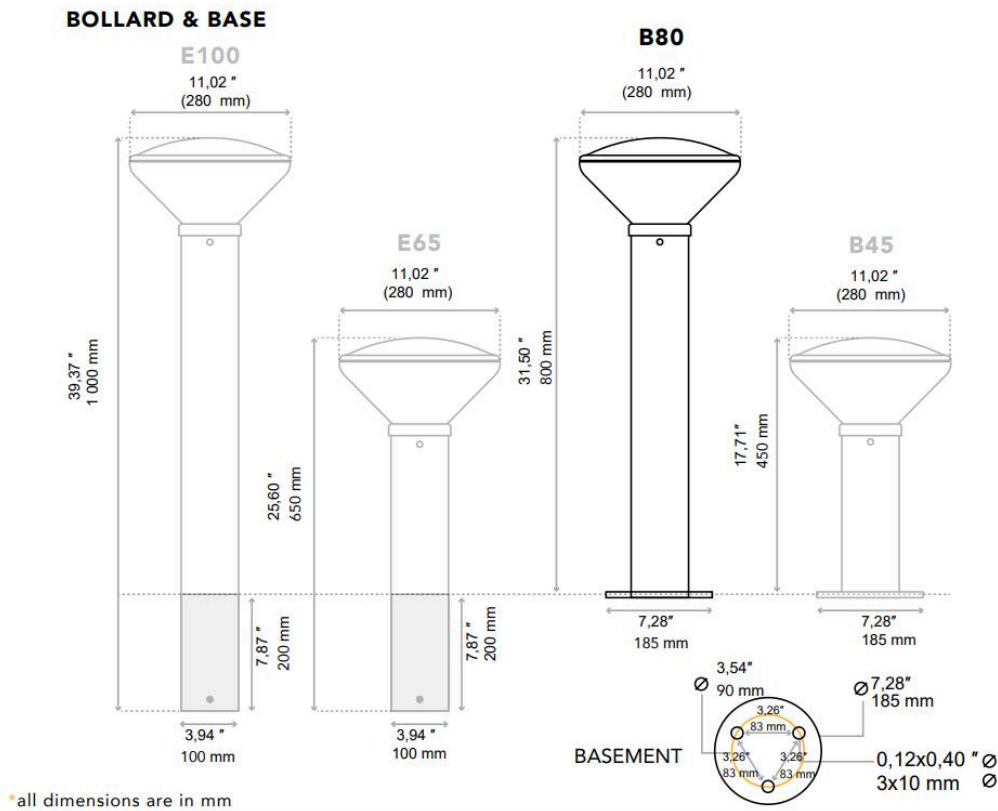
NO CABLING & NO TRENCHING

The VANDAL comes in two different mounting types, both requiring neither trenching or cabling for a fast and economical installation. Simply insert the bollard into concrete or mount it on anchor rods.



1 DIRECT BURIED **2** FLAT MOUNT

DIMENSIONS *



Due to the dynamic nature of lighting products and the associated technologies, luminaire data on all specification sheets is subject to change at the discretion of Gordon Bullard LLC and associated companies.

ONE WITH THE SUN

sales@gordonbullard.com / www.bullardbollards.com / 1-877-964-4646

991 South Gull Lake Dr Richland, MI 49083 USA