



**BULLARD
SOLAR**
One with the Sun

**X-PORTO
SOLAR BOLLARD RANGE**





FIXTURE TYPE: _____

PROJECT NAME: _____



GENERAL INFORMATION:

The X-PORTO by Bullard Solar is a sleek, solar-powered bollard light designed for durability and modern outdoor environments. Constructed from high-quality 304 stainless steel with an IP65 rating, it delivers reliable performance in a wide range of weather conditions. It features an automatic photo sensor, providing up to 12 hours of illumination with efficient solar charging and minimal maintenance. Available in multiple finishes and color temperatures, it offers flexible installation options to suit various landscape and architectural needs.

DIMENSIONS:

Length L: 7" (17.78 cm)
Width W: 11.3" (28.7 cm)
Height H: 38.6" (98 cm)

MATERIAL:

Stainless Steel

IP RATING:

IP 65

OPERATIONAL:

Average Sunlight Exposure: 8 hours
Average Operation Time: Minimum 12 hours
Solar Deprivation Limit: 5 days
Switch: Auto photo sensor
On/Off Level: 1.5 / 3 footcandle
Temperature Range: -40° F to 176° F

SOLAR LED INFORMATION:

Solar Panel Crystalline Silicon Solar Panel
Battery 8000 AM
Rated Voltage 5V, 5W

ONE WITH THE SUN

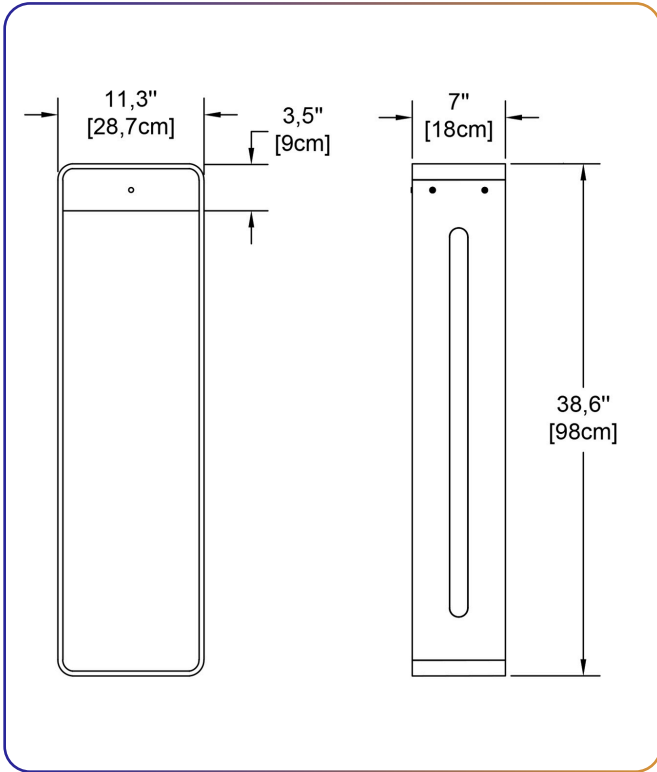
sales@gordonbullard.com
www.bullardsolar.com
1-877-964-4646



991 South Gull Lake Dr
Richland, MI 49083
USA

FIXTURE TYPE: _____

PROJECT NAME: _____



HOW TO ORDER:

CODE:

Example:
CODE: DHKQ-2413-SM-BL-27K

DHKQ-2413-
SM-BL-27K

1 INSTALLATION TYPE:

- AN Anchorage
- SM Surface Mounted

2 FINISH OPTIONS:

- SS Stainless Steel
- BL Black
- GR Grey
- CUS Custom on request

3 CCT:

- 23K 2300K
- 27K 2700K
- 30K 3000K
- 35K 3500K
- 40K 4000K
- 50K 5000K
- 65K 6500K

ONE WITH THE SUN

sales@gordonbullard.com
www.bullardsolar.com
1-877-964-4646



991 South Gull Lake Dr
Richland, MI 49083
USA

FIXTURE TYPE: _____

PROJECT NAME: _____

LIFEPO4 BATTERY



OVER 10 YEARS LIFESPAN

This Series features an advanced Iron Phosphate Lithium LiFePo4 battery, widely recognized as the best chemical technology for solar applications. With a remarkable life cycle of over 3000 cycles at 80% DOD, this battery provides reliable and efficient power for over 10 years.

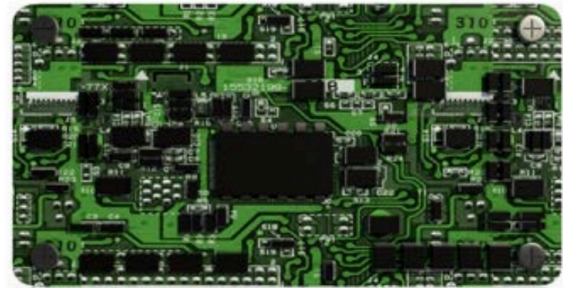
EXTREME TEMPERATURE

14°F to 158°F (-10 °C to 70°C)

When Standard Lithium LiFePo4 batteries enjoy a working temperature range from 14°F to 158°F (-10°C TO 70 °C), Bullard Solar offers as optional a new Special LIFEPO4 battery with working range of -40°F to 158°F (-40°C to 70°C)

BMS ELECTRONIC PROTECTION BATTERY MANAGEMENT SYSTEM

Our batteries are equipped with electronic circuit boards for a higher protection, ensuring battery functioning optimization in any situation.



THE BMS PROTECTS AGAINST

- OVER/UNDER CURRENT • OVERLOAD • OVER/UNDER VOLTAGE
- OVER/UNDER CHARGE • TEMPERATURE MANAGEMENT

COMPARISONS OF DIFFERENT BATTERY TECHNOLOGIES

LIFETIME & CYCLES AT 80% DOD*
Comparison of different battery technologies



Lead Acid
200



NimH
700

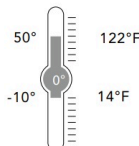


Lithium ION
800

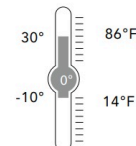


Lithium LifePO4
3 000

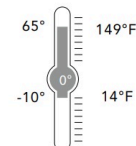
**CHARGING TEMPERATURE RANGE
WITHOUT CAPACITY LOSS**
Minimum & Maximum temperature range for
Optimal charging during the day



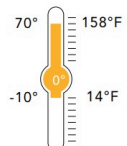
Lead Acid



NimH



Lithium ION



Lithium LifePO4



Due to the dynamic nature of lighting products and the associated technologies, luminaire data on all specification sheets is subject to change at the discretion of Gordon Bullard LLC and associated companies.

ONE WITH THE SUN

sales@gordonbullard.com / www.bullardbollards.com / 1-877-964-4646

991 South Gull Lake Dr Richland, MI 49083 USA