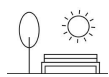




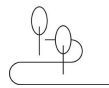
RELIGHT COLLECTION

**Designed to last
No matter the conditions**

Relight Collection is a powerful solar-powered LED floodlight designed for outdoor area illumination, security lighting, and infrastructure projects where grid power is unavailable or limited. The fixture combines high-efficiency LEDs with a durable weather-resistant housing to provide reliable performance in demanding environmental conditions. Its compact design and adjustable mounting system allow for flexible installation on poles, walls, and other structures. By utilizing solar energy, the Relight delivers sustainable, low-maintenance lighting while reducing energy costs and carbon emissions.



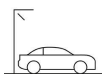
Park & Garden



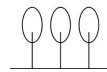
Hiking Trails



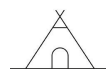
Places



Car Park & Rest



Pathways

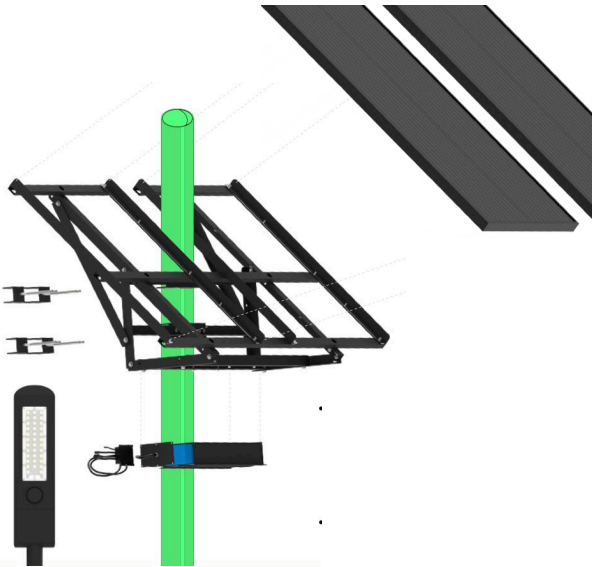
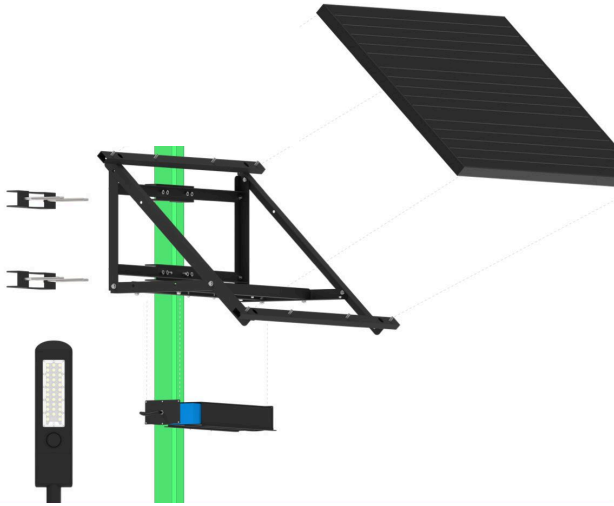


Campsites



FIXTURE TYPE: _____

PROJECT NAME: _____



HOW TO ORDER:

CODE:

Example:
CODE: BS-RLGHT-SLX-RL-60-BL-30K

BS-RLGHT-SLX-
RL-60-BL-30K

1 MODELS:

-RL-60

DIMENSIONS:

Height - H: 49.6" (126 cm)
Width - W: 34.6" (88 cm)
Base - L: 10.7" (27.1 cm)

NOMINAL FLUX 11760 LUMENS
NOMINAL POWER 60 WATTS

Light Height From 8m to 10m
Carton size 132 cm x 94.5 cm x 24.5 cm
Weight 42 KG /43 KG
Capacity 922Wh
Solar panel 220Watts /18V

**-RL DUAL
DIMENSIONS:**

Height - H: 49.6" (126 cm)
Width - 2 x W: 34.6" (88 cm)
Base - L: 10.7" (27.1 cm)

NOMINAL FLUX 19600 LUMENS
NOMINAL POWER 100 WATTS

Light Height From 8m to 10m
Carton size 132 cm x 94.5 cm x 24.5 cm
Weight 42 KG /43 KG
Capacity 1720Wh
Solar panel 2x220Watts /18V

2 FINISH OPTIONS:

-BL Black
-CUS Custom on request

3 CCT:

-23K 2300K
-30K 3000K
-40K 4000K
-50K 5000K
-65K 6500K



Due to the dynamic nature of lighting products and the associated technologies, luminaire data on all specification sheets is subject to change at the discretion of Gordon Bullard LLC and associated companies.

ONE WITH THE SUN

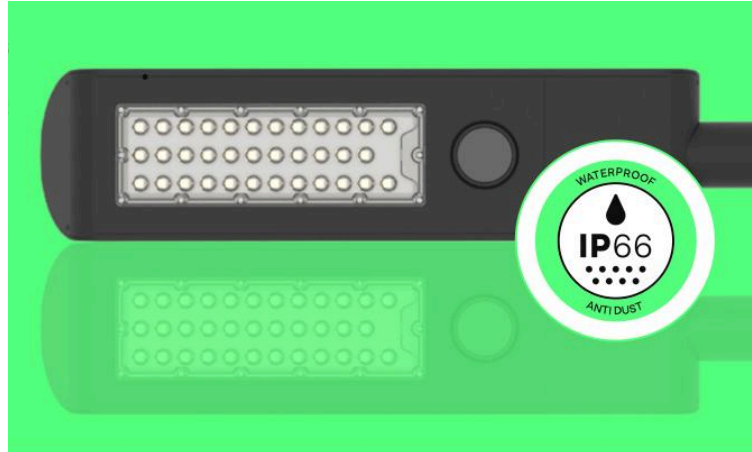
sales@gordonbullard.com / www.bullardbollards.com / 1-877-964-4646
991 South Gull Lake Dr Richland, MI 49083 USA

FIXTURE TYPE: _____

PROJECT NAME: _____

LUMINAIRE HOUSING & LEDS

Made of low-copper extruded aluminum with IP66 protection, the ReLight luminaire is coated with AKZONOBEL polyester powder, offering excellent resistance to salt, moisture, and UV rays.

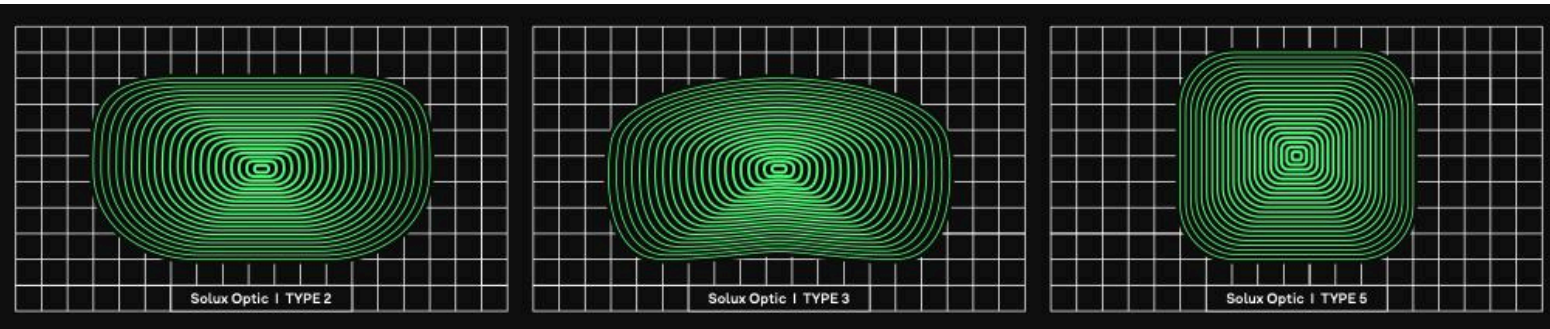


Equipped with PHILIPS LUXEON HE PLUS LEDs, it achieves an impressive efficiency of 196 lumens per watt.

LED	3030	LED QTY (PCS)	72	LENS (PCS)	1	CRI	> 80	
-----	-------------	---------------	-----------	------------	----------	-----	----------------	---

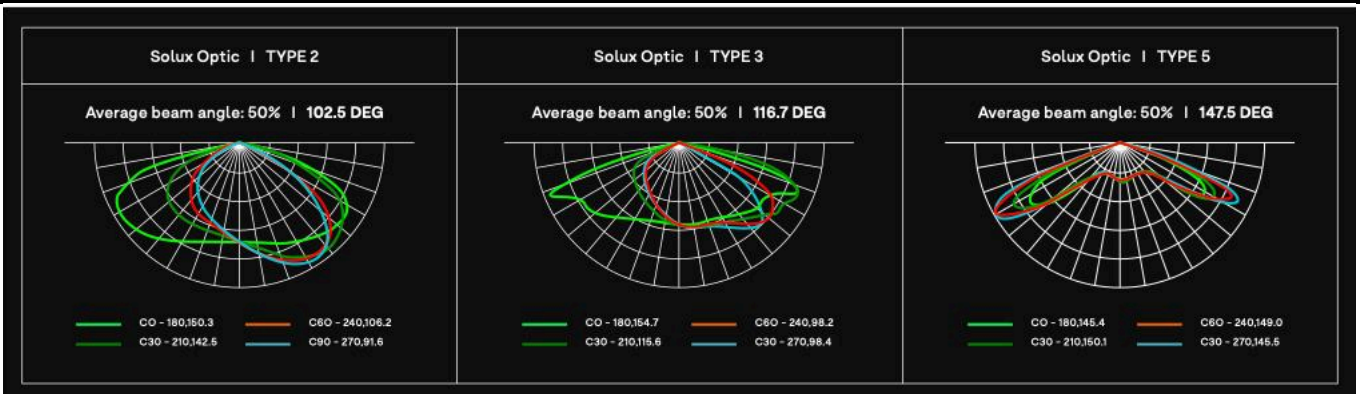
DIFFERENT OPTICS *

Our different optics will allow you to optimize the lighting results of your projects



* Please contact us for more optics.

LIGHT DISTRIBUTION CURVES



Due to the dynamic nature of lighting products and the associated technologies, luminaire data on all specification sheets is subject to change at the discretion of Gordon Bullard LLC and associated companies.

ONE WITH THE SUN

sales@gordonbullard.com / www.bullardbollards.com / 1-877-964-4646

991 South Gull Lake Dr Richland, MI 49083 USA

FIXTURE TYPE: _____

PROJECT NAME: _____

+ OVER 10 YEARS LIFESPAN

The RELIGHT Series is equipped with Iron Phosphate Lithium LiFePo4 battery. This technology is proved to be the best chemical technology for solar application on the market. With a cycle life of over 5000 Cycles @ 50% DOD, the battery enjoys lifespan of over 10 years.

EXTREME TEMPERATURE
14°F to 158°F / -10 °C to 70°C

When Standard Lithium LiFePo4 batteries enjoy a working temperature range from 14°F to 158°F (-10°C TO 70°C). Bullard Solar offers as optional a new Special LIFEP04 battery with working range of -40°F to 158°F (-40 °C. to 70 °C).

EASY MAINTENANCE & ANTI THEFT SCREWS

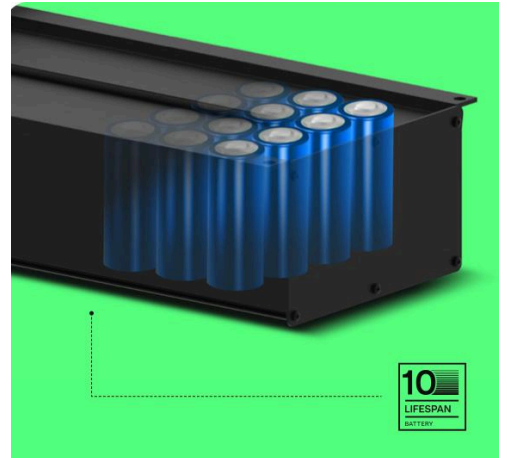
Easy and direct access to the battery casing for maintenance. The fixation are made with anti theft screws, which request special tooling to unscrew.

BMS ELECTRONIC PROTECTION BATTERY MANAGEMENT SYSTEM

Our batteries are equipped with electronic circuit boards for a higher protection, ensuring battery functioning optimization no matter the situation.

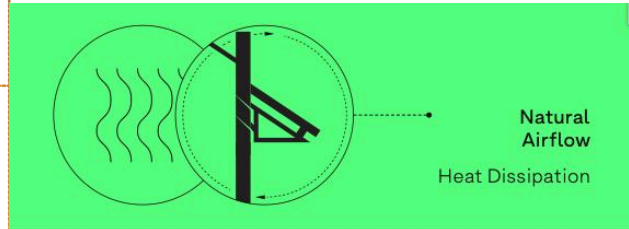
THE BMS PROTECTS AGAINST
OVER/UNDER CURRENT • OVERLOAD • OVER/UNDER VOLTAGE
• OVER/UNDER CHARGE • TEMPERATURE MANAGEMENT

BATTERY LIFEP04

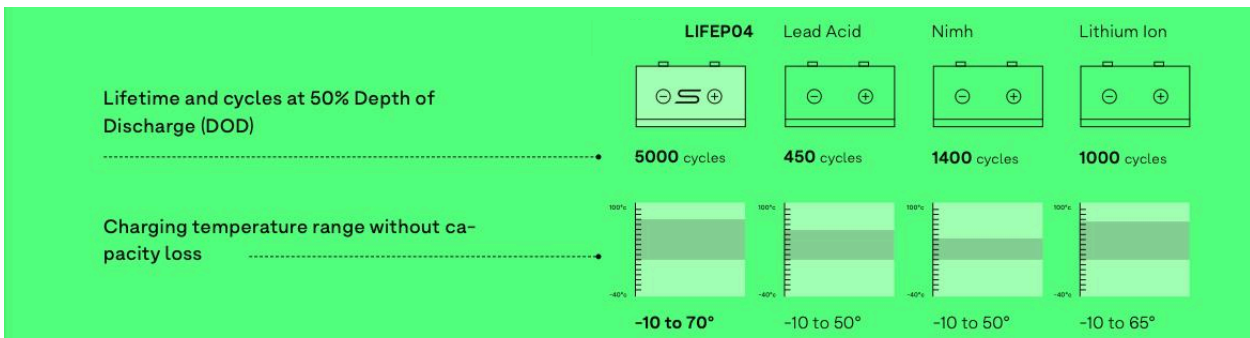


ALUMINUM WATERPROOF CASING & NATURAL AIRFLOW

High temperatures greatly negatively affect the battery's lifespan. This is why our batteries are encapsulated in an aluminum waterproof casing for a perfect heat dissipation. Natural airflow also keeps the battery at ambient temperature, ensuring optimal performance



COMPARISONS OF DIFFERENT BATTERY TECHNOLOGIES




Due to the dynamic nature of lighting products and the associated technologies, luminaire data on all specification sheets is subject to change at the discretion of Gordon Bullard LLC and associated companies.

ONE WITH THE SUN

sales@gordonbullard.com / www.bullardbollards.com / 1-877-964-4646
991 South Gull Lake Dr Richland, MI 49083 USA

FIXTURE TYPE: _____

PROJECT NAME: _____

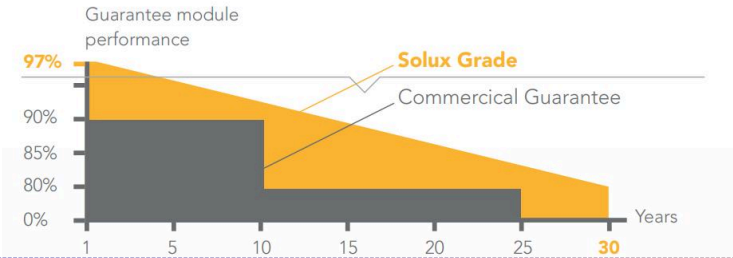
TOPCON MONOCRYSTALLINE SOLAR PANEL

High efficiency mono-crystalline Solar panels. Carefully selected Grade A Solar cells. Up to 25.5% efficiency and 97% conversion efficiency in low light. Its octagonal Anodized aluminium alloy frame gives it a modern and elegant design as well as perfect resistance to corrosion. They are also equipped with fully waterproof Plug and Play connectors.

solar cells
GRADE A



OUR PV PERFORMANCE GUARANTEE



CONTROLLER MPPT



+ WATERPROOF CONNECTORS
"PLUG & PLAY"

All our components are assembled **seamless and easy to access**

In a search for performance and reliability, our products are equipped with MPPT technology controller offering the best charging efficiency on the market up to 98%

REMOTE CONTROL MONITORING

In order to facilitate all maintenance operations and above all to diagnose any possible problem, without having to intervene mechanically on the luminaire, BULLARD SOLAR luminaires are equipped with a wireless diagnostic system via remote control



With a simple click it is possible to have real-time information such as:

- Automatic diagnosis in case of malfunction
- State of charge and battery history
- Real Time load and solar panel energy production history
- Age of the product and installation Temperature and its history

FEATURES

- Minimal stand-by power consumption
- Current consumption $\leq 10\text{mA}$
- Intelligent battery management

3 Phases charging:

- Charge MPPTT
- Constant voltage
- Floating voltage
- Intelligent LED driver Auto detecting of Dusk and Dawn for automatic operation, 7 Lighting Programs Configuration.
- ANTI BLACK OUT: Load adjust according to battery capacity assuring all night long lighting in any weather conditions.
- The controller also acts against:

- OVERLOAD
- OVERCURREN
- OVERTEMPERATURE
- OVERVOLTAGE / OVERLOAD
- OVERDISCHARGE



Due to the dynamic nature of lighting products and the associated technologies, luminaire data on all specification sheets is subject to change at the discretion of Gordon Bullard LLC and associated companies.

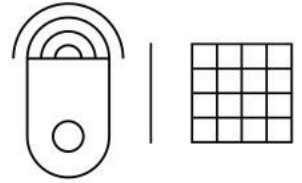
ONE WITH THE SUN

sales@gordonbullard.com / www.bullardbollards.com / 1-877-964-4646

991 South Gull Lake Dr Richland, MI 49083 USA

FIXTURE TYPE: _____

PROJECT NAME: _____



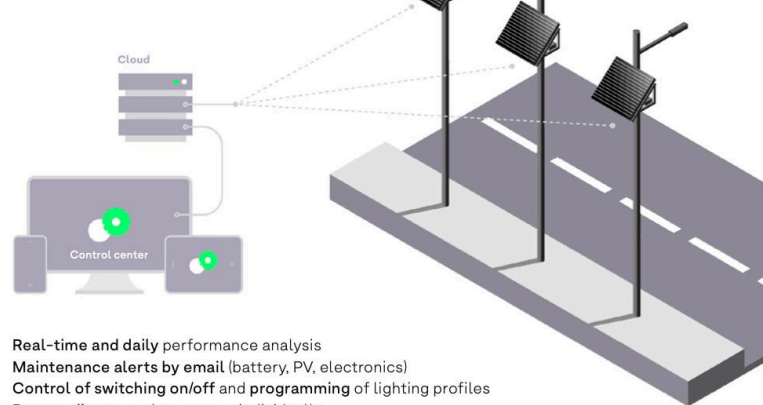
Take control remotely

Connectivity and onboard communication system

On-board communication

Each streetlight is equipped with a SIM card and a communication node connected to the server, ensuring reliable communication and eliminating packet loss. Simplify maintenance with wireless diagnostics, optimized monitoring, and management of your lighting fleet.

The luminaire connects to the server, which sends the data to the control station (web interface and app).

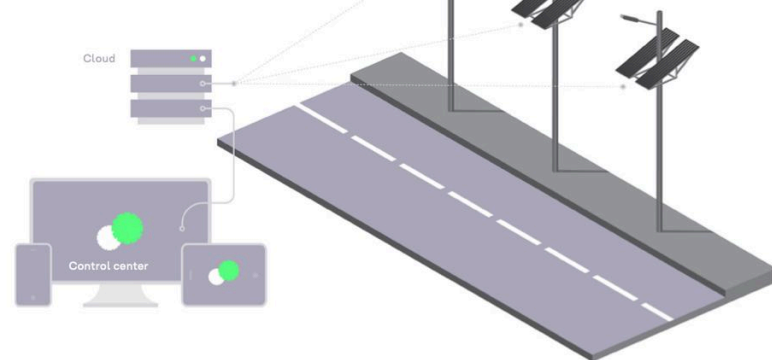


- Real-time and daily performance analysis
- Maintenance alerts by email (battery, PV, electronics)
- Control of switching on/off and programming of lighting profiles
- Power adjustment by group or individually
- Optimization of operation

Quick installation without configuration



Each control node, integrated into the luminaire, manages lighting in real time and connects to various sensors placed throughout the area.



Due to the dynamic nature of lighting products and the associated technologies, luminaire data on all specification sheets is subject to change at the discretion of Gordon Bullard LLC and associated companies.

ONE WITH THE SUN

sales@gordonbullard.com / www.bullardbollards.com / 1-877-964-4646

991 South Gull Lake Dr Richland, MI 49083 USA

FIXTURE TYPE: _____

PROJECT NAME: _____

SUPER EASY INSTALLATION

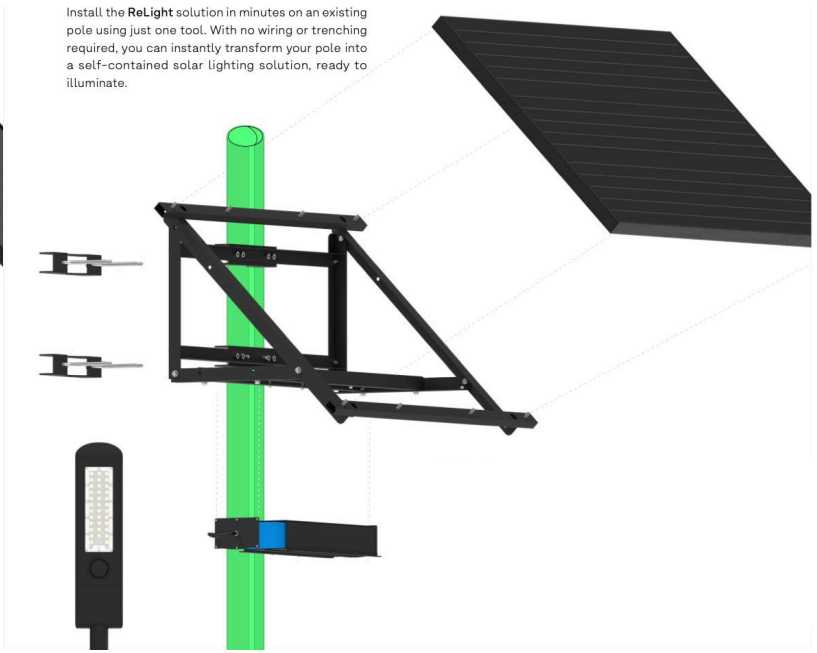
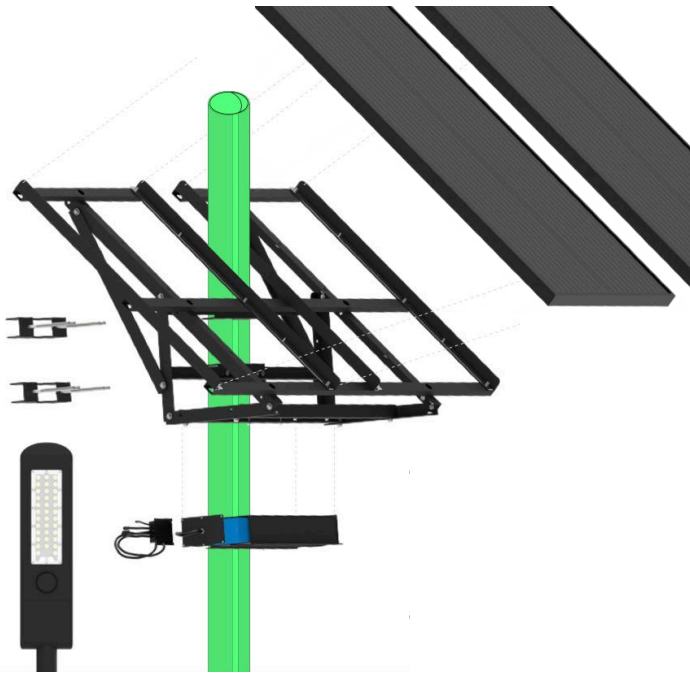
Thanks to a well-designed mounting bracket, the ReLight is easy and flexible to install. The panel can be rotated 360° to always face the sun.

Kit Installation with a one-tool system.

One tool only to install the system

Product dimensions

Install the ReLight solution in minutes on an existing pole using just one tool. With no wiring or trenching required, you can instantly transform your pole into a self-contained solar lighting solution, ready to illuminate.



Kit Package

Topcon panels, LED light fixture, LiFePo4 battery, BMS, MPPT controller, motion sensor on the light fixture, Plug&Play harness).

Fits on poles between Ø 7.6 – 11.4 cm



Due to the dynamic nature of lighting products and the associated technologies, luminaire data on all specification sheets is subject to change at the discretion of Gordon Bullard LLC and associated companies.

ONE WITH THE SUN

sales@gordonbullard.com / www.bullardbollards.com / 1-877-964-4646

991 South Gull Lake Dr Richland, MI 49083 USA