



# ADJAR + COLLECTION

SOLAR STREET LIGHT  
COLUMN



# ADJAR+ COLLECTION

Designed to last  
No matter the conditions

Sleek and efficient from every angle  
ADJAR (+) redefines solar lighting with a sleek, modern design. Unlike traditional streetlights with bulky top panels, its integrated solar panels remains discreet while ensuring maximum efficiency. Its innovative luminaire provides powerful illumination while optimizing energy capture and autonomy, even in low-light conditions. Available in single or double-headed versions, it can be adapted to both urban and street applications, with quick installation.



FIXTURE TYPE: \_\_\_\_\_

PROJECT NAME: \_\_\_\_\_



**5  
YEARS**

\* Bullard Solar offers a 5 Year Limited Warranty for the Post Top-Series luminaire shall be free from defects in material and workmanship for up to five (5) years from date of shipment. This limited warranty covers all components when installed and operated according to Bullard Solar instructions. Fixture suitable for ambient temperature from -10° to 50°. PV Panels - 20 year performance warranty Controller & Batteries: 5 years

Bullard Solar retains the right to modify or change product specifications without prior notice, as part of our ongoing commitment to improvement

**LIGHTING**

Efficiency ..... 196 Lumens/Watts  
 Chips LED ..... PHILIPS Luxeon 30-30  
 LED lifetime ..... Over 100.000 Hrs - LM80  
 Optics/CCT ..... T1 / TII / TIII / T-IV / T-V / T10 / T35 - 2300 to 6500K

**BATTERY**

Technology ..... Lithium Iron Phosphate LIFEPO4  
 Autonomy ..... Over 24 hours at full charge 4 Rainy Days back up  
 Charging time ..... 6-7 Hours  
 Lifespan ..... Over 8000 CYCLES - 30% DOD / Over 10y lifetime  
 Working temp ..... -10°C to 70 °C (optional -40°C TO 70°C)

**ENERGY**

Cells type ..... Monocrystalline Panel Grade A 25 years  
 Certificates ..... IEC 61215 - IEC 61730 I and II - IEC 60904

**ELECTRONIC**

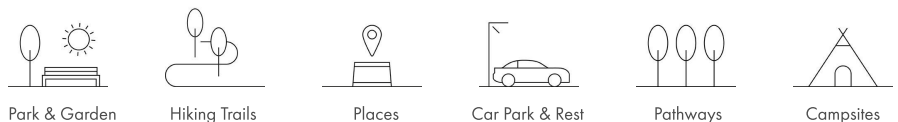
Controller ..... MPPT Controller, (Bullard Solar Bridge Optional)  
 Sensor ..... Microwave 360° Sensor  
 Cabling ..... Waterproof Connector, (Plug and Play)  
 Protection ..... Battery Management System (BMS)

**OTHER OPTIONS**

Materials ..... Aluminium and Stainless Steel  
 Wind speed ..... 160 Km/h

**CERTIFICATIONS**

**IEC / TUV / EMC / LM-79- 08 AND LM-80 TEST STANDARDS / IK10+ / IP65 / CE / ULOR**



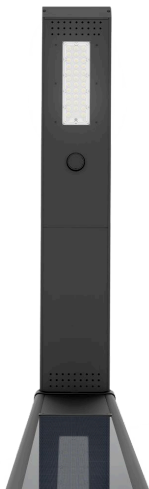
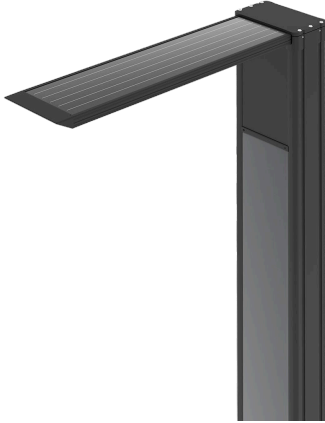

Due to the dynamic nature of lighting products and the associated technologies, luminaire data on all specification sheets is subject to change at the discretion of Gordon Bullard LLC and associated companies.

ONE WITH THE SUN

sales@gordonbullard.com / www.bullardbollards.com / 1-877-964-4646  
 991 South Gull Lake Dr Richland, MI 49083 USA

FIXTURE TYPE: \_\_\_\_\_

PROJECT NAME: \_\_\_\_\_



**HOW TO ORDER:**

CODE:

Example:  
CODE: BS-ADJR-PLS-SLX-20-30K

BS-ADJR-PLS-SLX-20-30K

**1 MODELS:**

-20

**DIMENSIONS:**

Height - H: 106.30"(270 cm)  
Width - W: 12.20"(31 cm)  
Base - L: 14.57"(37 cm)

NOMINAL FLUX ..... 3920 Lumens  
NOMINAL POWER ..... 20 Watts

Light Height ..... 2.7 m  
Carton size ..... 108.27" x 12.99" x 11.02"  
Weight ..... 49,60 lb/60,53 lb  
Capacity ..... 346Wh  
Solar panel ..... 115 Watts / 18V / 33 Watts / 18V

-40

**DIMENSIONS:**

Height - H: 145.67" (379 cm)  
Width - W: 12.20" (31 cm)  
Base - L: 14.57" (37 cm)

NOMINAL FLUX ..... 7840 Lumens  
NOMINAL POWER ..... 40 Watts

Light Height ..... 3.7 m  
Carton size ..... 147.64" x 12.99" x 11.02"  
Weight ..... 49,60 lb/60,53 lb  
Capacity ..... 730Wh  
Solar panel ..... 195 Watts / 18V / 33 Watts / 18V

-60

**DIMENSIONS:**

Height - H: 236.22" (600 cm)  
Width - W: 12.20" (31 cm)  
Base - L: 14.57" (37 cm)

NOMINAL FLUX ..... 11760 Lumens  
NOMINAL POWER ..... 60 Watts

Light Height ..... 6,1 m  
Carton size ..... 240.16" x 12.99" x 11.02"  
Weight ..... 49,60 lb/60,53 lb  
Capacity ..... 1062Wh  
Solar panel ..... 330 Watts / 18V / 52 Watts / 18V



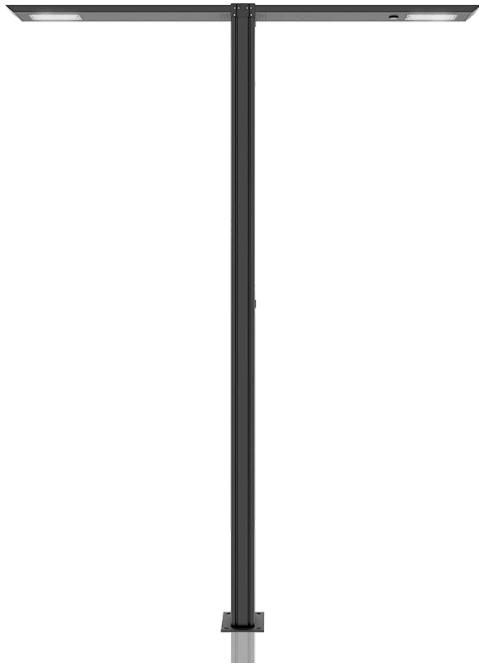
Due to the dynamic nature of lighting products and the associated technologies, luminaire data on all specification sheets is subject to change at the discretion of Gordon Bullard LLC and associated companies.

ONE WITH THE SUN

sales@gordonbullard.com / www.bullardbollards.com / 1-877-964-4646  
991 South Gull Lake Dr Richland, MI 49083 USA

FIXTURE TYPE: \_\_\_\_\_

PROJECT NAME: \_\_\_\_\_



**HOW TO ORDER:**

CODE:

Example:  
CODE: BS-ADJR-PLS-SLX-20-30K

BS-ADJR-PLS-SLX-20-30K

**1 MODELS:**

-D20

**DIMENSIONS:**

Height - H: 145,67" (370 cm)

Width - W: 12,20" (31 cm)

Base - L: 14.57" (37 cm)

NOMINAL FLUX ..... 2 x 3920 Lumens  
NOMINAL POWER ..... 2 x 40 Watts

Light Height ..... 3,7 m  
Carton size ..... 147.64" x 12.99" x 11.02"  
Weight ..... 49,60 lb/60,53 lb  
Capacity ..... 730Wh  
Solar panel ..... 195 Watts / 18V / 2 x 33 Watts / 18V

-D30

**DIMENSIONS:**

Height - H: 236.22" (600 cm)

Width - W: 12.20" (31 cm)

Base - L: 14.57" (37 cm)

NOMINAL FLUX ..... 2 x 5880 Lumens  
NOMINAL POWER ..... 2 x 30 Watts

Light Height ..... 6,1 m  
Carton size ..... 240.16" x 12.99" x 11.02"  
Weight ..... 49,60 lb/60,53 lb  
Capacity ..... 1062Wh  
Solar panel ..... 330 Watts / 18V / 2 x 52 Watts / 18V

**2 CCT:**

- 23K 2300K
- 30K 3000K
- 40K 4000K
- 50K 5000K
- 65K 6500K



Due to the dynamic nature of lighting products and the associated technologies, luminaire data on all specification sheets is subject to change at the discretion of Gordon Bullard LLC and associated companies.

ONE WITH THE SUN

sales@gordonbullard.com / www.bullardbollards.com / 1-877-964-4646

991 South Gull Lake Dr Richland, MI 49083 USA

FIXTURE TYPE: \_\_\_\_\_

PROJECT NAME: \_\_\_\_\_

**LUMINAIRES & LEDS**

The innovative luminaire features an integrated solar panel, while its versatile optics offer adaptable lighting solutions. Constructed from extruded low-copper aluminum with IP66 protection, it guarantees durability. Its AKZO NOBEL Polyester Powder coating enhances resistance to salt, humidity, and UV exposure, ensuring long-lasting performance.

Fitted with PHILIPS LUXEON HE PLUS high-efficiency chips, this luminaire achieves an impressive 196 lumens per watt output. Totem (+) also complies with strict ULR (Upward Light Ratio) standards, effectively minimizing light pollution while delivering optimal illumination performance.

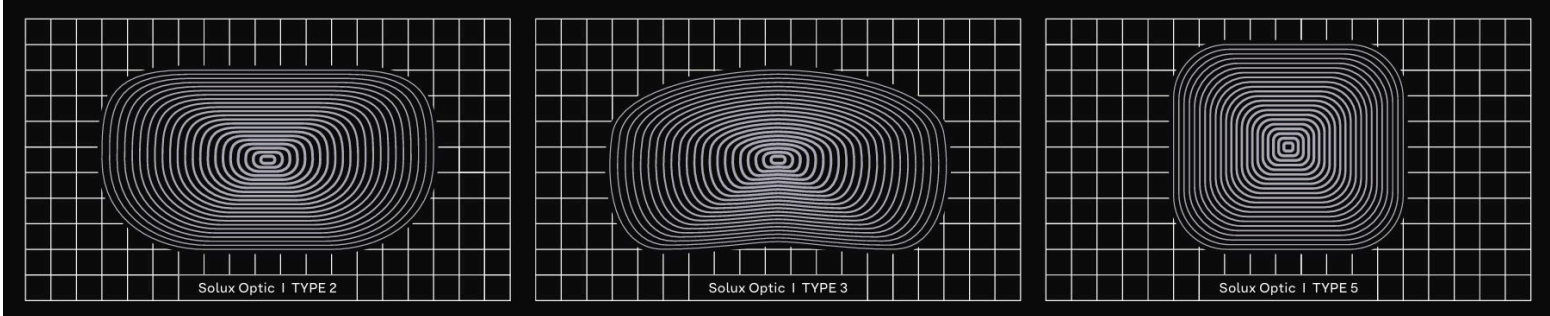


Led: 3030 | LedQ.(Pcs): 72 | Optics: 4 | CRI>70

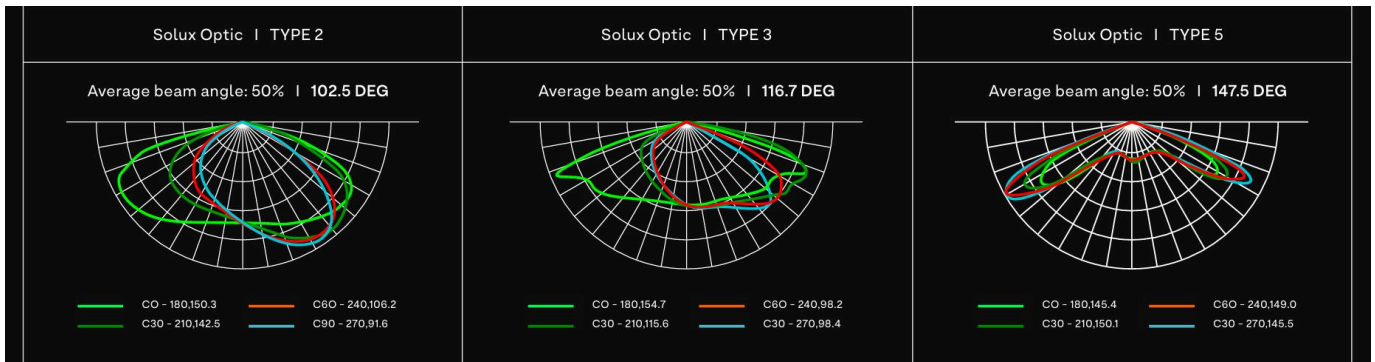
**DIFFERENTS OPTICS AVAILABLE**

our different optics will allow you to optimize the lighting results of your projects.

(please contact us for more optics)



**LIGHT DISTRIBUTION CURVES**



Due to the dynamic nature of lighting products and the associated technologies, luminaire data on all specification sheets is subject to change at the discretion of Gordon Bullard LLC and associated companies.

ONE WITH THE SUN

[sales@gordonbullard.com](mailto:sales@gordonbullard.com) / [www.bullardbollards.com](http://www.bullardbollards.com) / 1-877-964-4646

991 South Gull Lake Dr Richland, MI 49083 USA

FIXTURE TYPE: \_\_\_\_\_

PROJECT NAME: \_\_\_\_\_

## BATTERY LIFEPO4 Made to last

The ADJAR (+) series is equipped with Iron Phosphate Lithium LiFePo4 battery. This technology is proved to be the best chemical technology for solar application on the market.

With a cycle life of over 8000 Cycles @ 30% DOD, the battery enjoys lifespan of over 10 years.

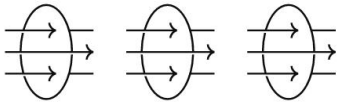


**Extreme conditions ready**  
-10° to 70° ( optional - 40° )

### BMS System by Bullard Solar

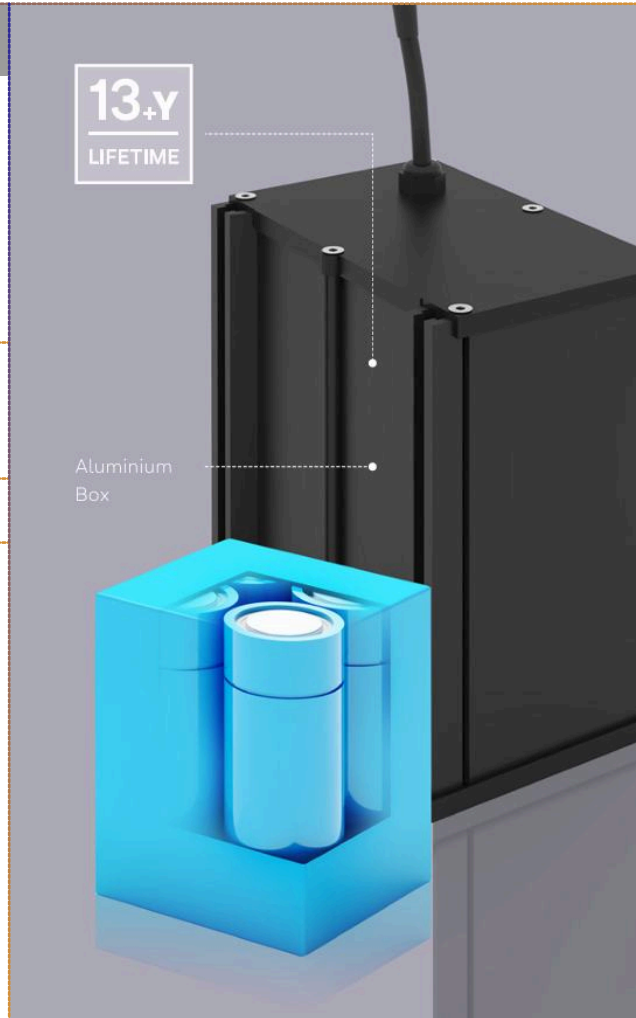
#### Electronic battery management system

Our batteries are equipped with electronic circuit boards for a higher protection



- Over & Under current - Overload
- Over & Under Voltage - Over & Under Charge
- Temperature management

DIRECT BATTERY ACCESS | ANTI THEFT SCREW 



## COMPARISON OF DIFFERENT BATTERY TECHNOLOGIES

Lifetime & cycles at 30% DOD

Solux LIFEPO4

Lead Acid

Nimh

Lithium Ion



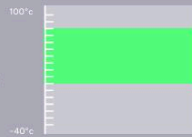
8000 cycles

800 cycles

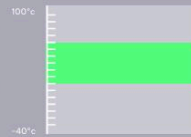
2000 cycles

3500 cycles

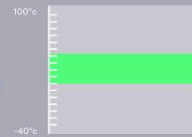
Charging temperature range without capacity loss



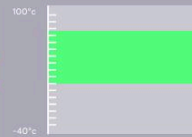
-10 to 70°



-10 to 50°



-10 to 50°



-10 to 65°



Due to the dynamic nature of lighting products and the associated technologies, luminaire data on all specification sheets is subject to change at the discretion of Gordon Bullard LLC and associated companies.

ONE WITH THE SUN

[sales@gordonbullard.com](mailto:sales@gordonbullard.com) / [www.bullardbollards.com](http://www.bullardbollards.com) / 1-877-964-4646

991 South Gull Lake Dr Richland, MI 49083 USA

FIXTURE TYPE: \_\_\_\_\_

PROJECT NAME: \_\_\_\_\_

# MICROWAVE SENSOR

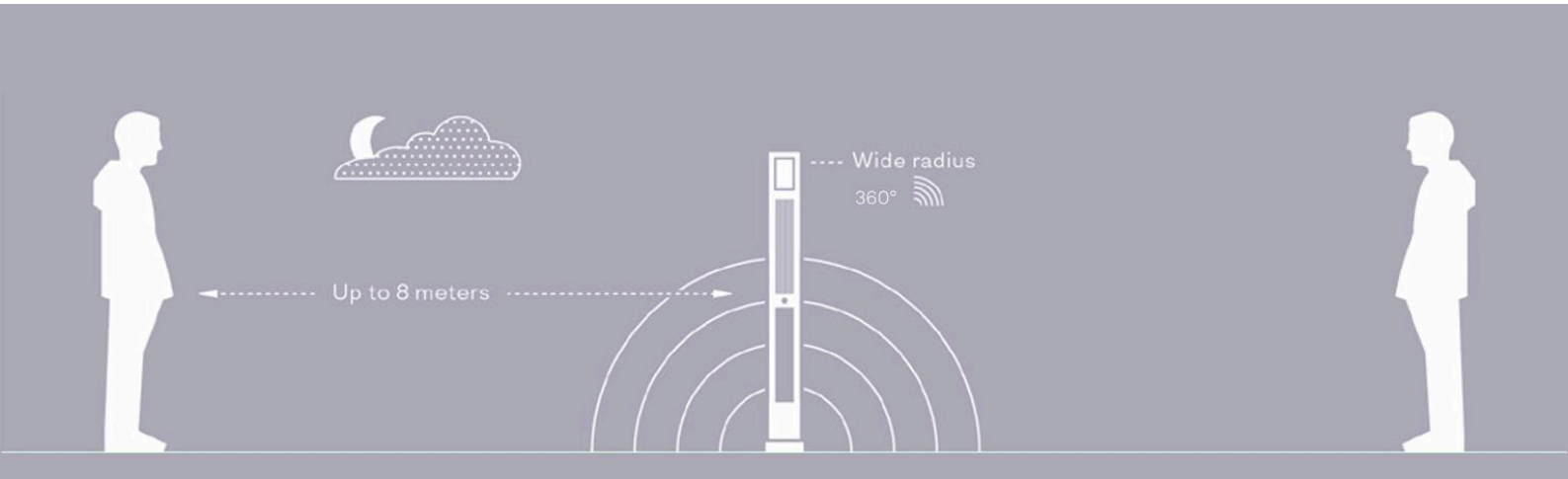
## Light when you need

### Motion sensor Microwave

The microwave detectors are directly integrated in the luminaires, which use the Doppler effect to detect and quantify the distance of adjacent objects, much like car radars do. In order to evaluate and reflect off of nearby objects, the sensor sends out a high frequency pulse.

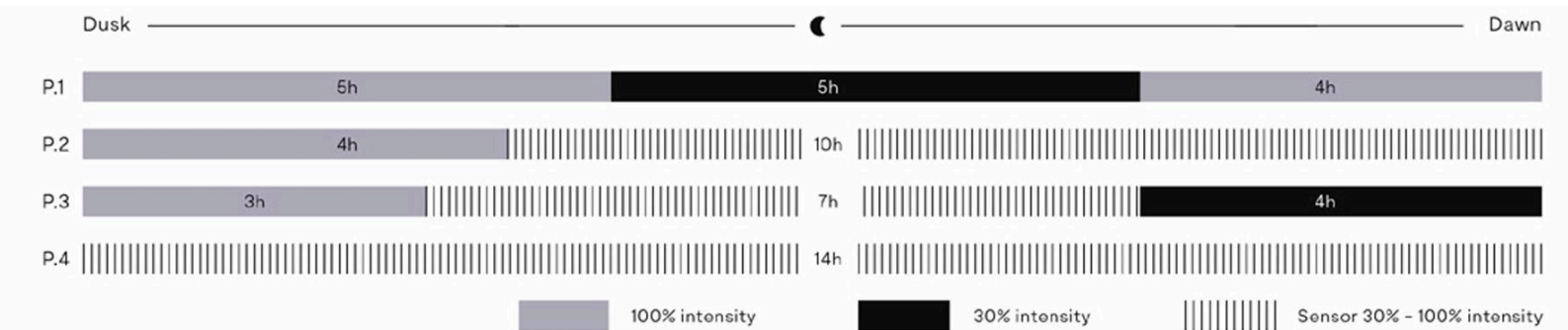
- Much better reliability compared to the Infrared detector
- Up to 360° Directivity
- Insensitivity to other environmental variations such as light, color, temperature, etc.

In addition to automatic switching on and off, you have the possibility of choosing among different modular operating modes according to the needs of the project



## OPERATION MODE AND LIGHTING SCHEDULE

In addition to automatic switching on and off, you can choose from different modular operating modes to suit the specific needs of your project. So, whether your project demands part-night brightness, early evening lighting, or anything in between, our flexible lighting programs have you covered!




Due to the dynamic nature of lighting products and the associated technologies, luminaire data on all specification sheets is subject to change at the discretion of Gordon Bullard LLC and associated companies.

ONE WITH THE SUN

sales@gordonbullard.com / www.bullardbollards.com / 1-877-964-4646  
991 South Gull Lake Dr Richland, MI 49083 USA

FIXTURE TYPE: \_\_\_\_\_

PROJECT NAME: \_\_\_\_\_

# HORIZONTAL & VERTICAL SOLAR PANEL

Invisible Solar Panels

**Total Solar Panel: 148W / 228W / 382W / 261W / 434W**

For top-tier performance and a sleek design, Totem (+) features SHINGLED PERC photovoltaic technology, with solar panels integrated into both its structure and luminaire. This cutting-edge system ensures exceptional efficiency, even in low-light conditions, while maximizing power output. With seamless integration and no visible connections, TOTEM+ blends effortlessly into any environment, ensuring both functionality and aesthetic appeal.

## POWER LOSS DUE TO SHADING

Conventional panel



Shingled Perc



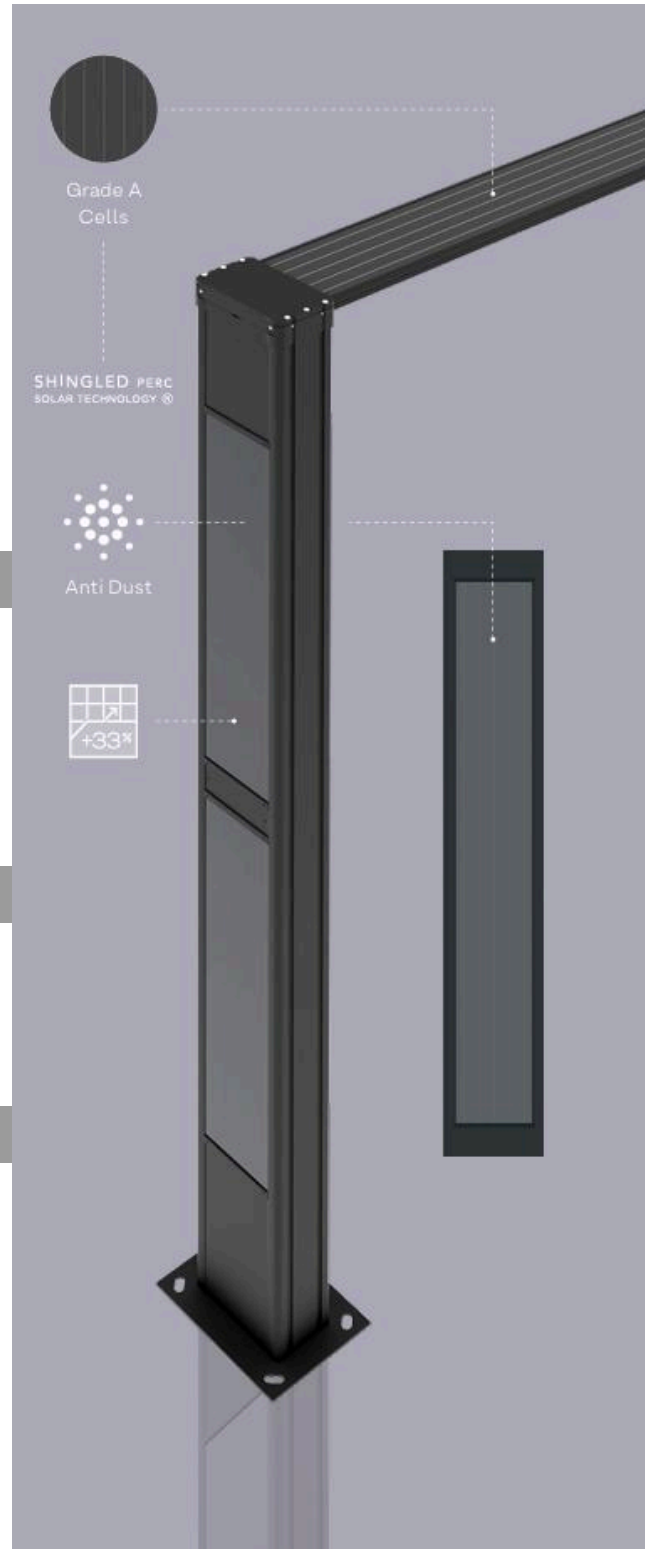
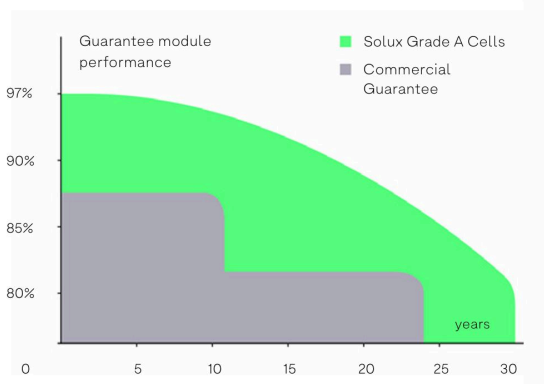
## DISCRETION

With no visible connections or circuits, Totem (+) is fully integrated into its environment and most people will not notice the presence of solar panels.



Hybrid system

## PV PERFORMANCE




Due to the dynamic nature of lighting products and the associated technologies, luminaire data on all specification sheets is subject to change at the discretion of Gordon Bullard LLC and associated companies.

ONE WITH THE SUN

sales@gordonbullard.com / www.bullardbollards.com / 1-877-964-4646  
991 South Gull Lake Dr Richland, MI 49083 USA

FIXTURE TYPE: \_\_\_\_\_

PROJECT NAME: \_\_\_\_\_

# ELECTRONIC

## Control & maintenance

### Remote control



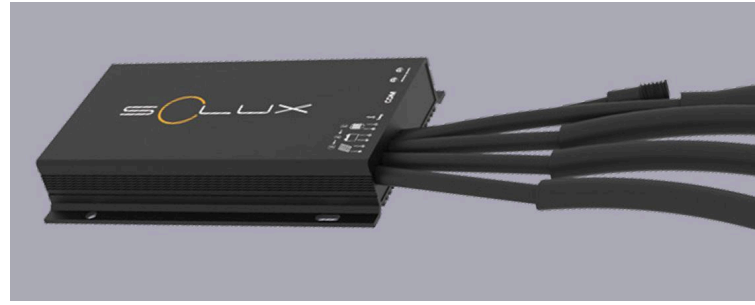
In order to facilitate all maintenance operations: Bullard Solar exclusivity)

Real time diagnosis

+

Diagnosis of issue State of charge Production history Temperature history

### MPPT Controller



Waterproof connectors | Performance & reliability  
Up to 98% efficiency

### BULLARD SOLAR BRIDGE REMOTE MONITORING (OPTIONAL)

As part of our continuous effort for development, Bullard Solar team is proud to have developed a special tool for remote monitoring of our solar street light. Bullard Solar Bridge uses low frequency technology LORA or 2,4 Mesh to monitor in real time a batch of solar street lights.



Due to the dynamic nature of lighting products and the associated technologies, luminaire data on all specification sheets is subject to change at the discretion of Gordon Bullard LLC and associated companies.

ONE WITH THE SUN

sales@gordonbullard.com / www.bullardbollards.com / 1-877-964-4646

991 South Gull Lake Dr Richland, MI 49083 USA

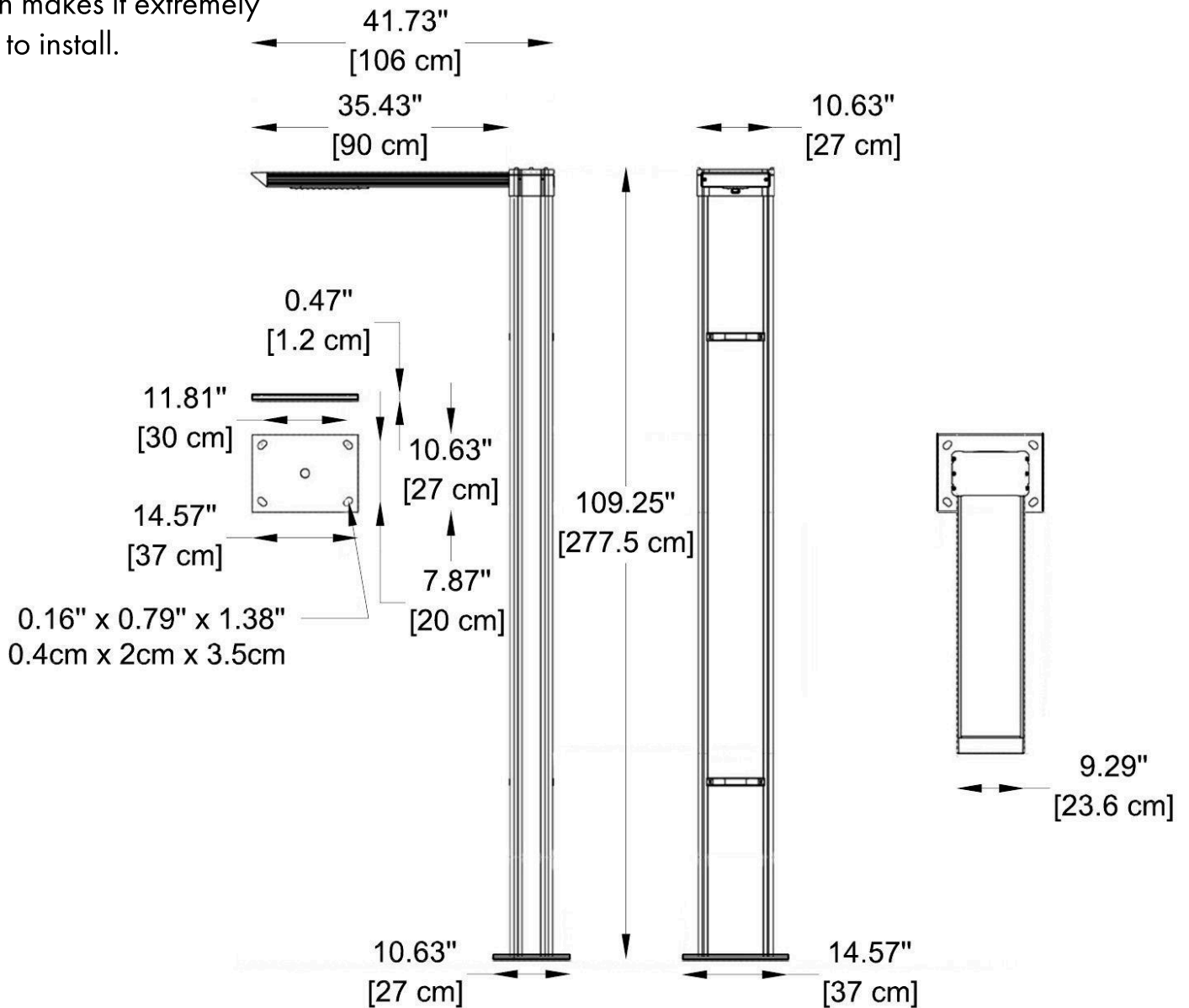
FIXTURE TYPE: \_\_\_\_\_  
PROJECT NAME: \_\_\_\_\_

# Technical drawing Model I 20

## Product Dimensions

Easy installation | No cabling - No tranching

ADJAR (+) is a pole itself, delivered in a single piece which makes it extremely easy to install.



Due to the dynamic nature of lighting products and the associated technologies, luminaire data on all specification sheets is subject to change at the discretion of Gordon Bullard LLC and associated companies.

ONE WITH THE SUN

[sales@gordonbullard.com](mailto:sales@gordonbullard.com) / [www.bullardbollards.com](http://www.bullardbollards.com) / 1-877-964-4646

991 South Gull Lake Dr Richland, MI 49083 USA

FIXTURE TYPE: \_\_\_\_\_

PROJECT NAME: \_\_\_\_\_

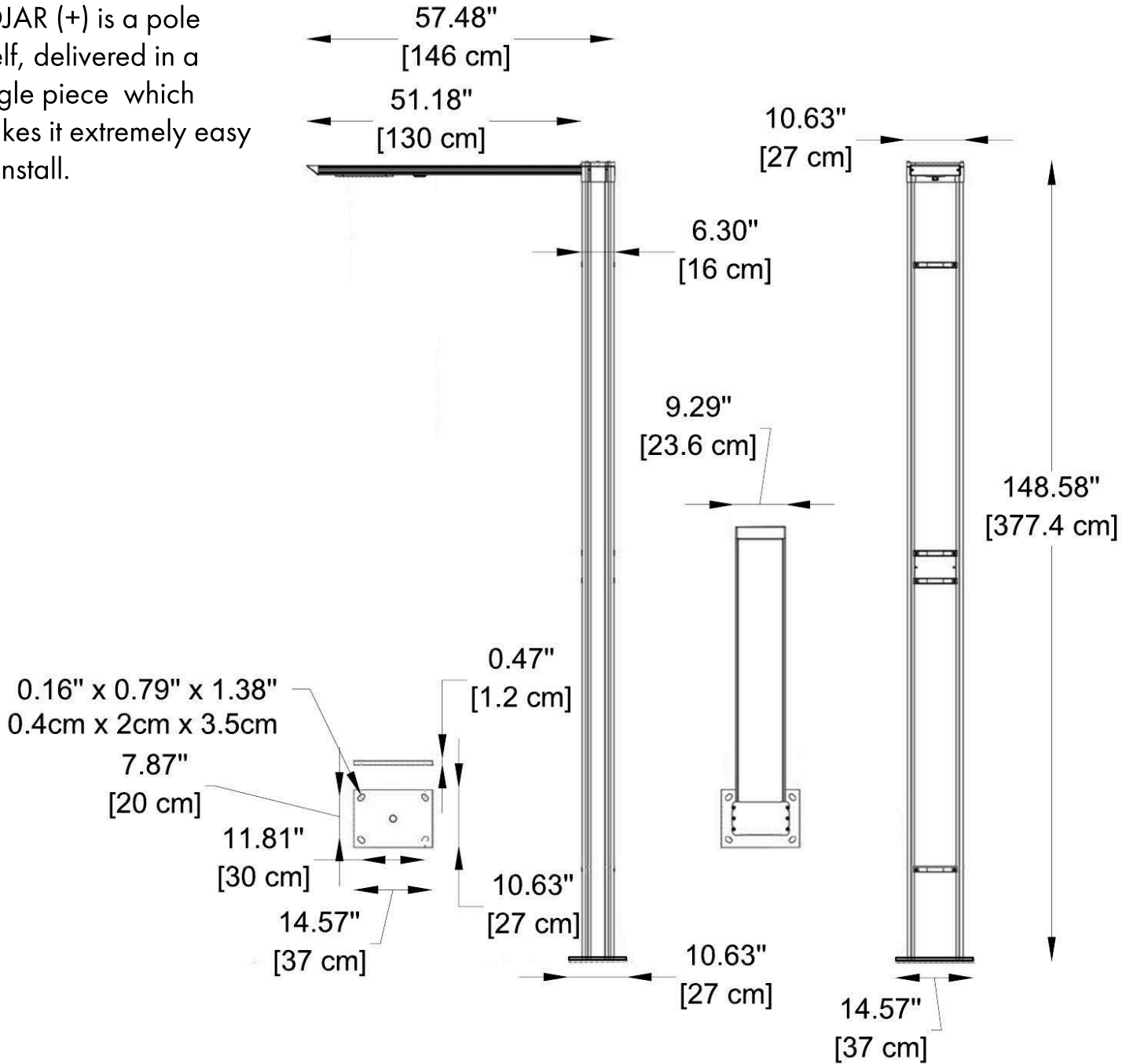
# Technical drawing

## Model I 40

### Product Dimensions

Easy installation | No cabling - No tranching

ADJAR (+) is a pole itself, delivered in a single piece which makes it extremely easy to install.





Due to the dynamic nature of lighting products and the associated technologies, luminaire data on all specification sheets is subject to change at the discretion of Gordon Bullard LLC and associated companies.

ONE WITH THE SUN

[sales@gordonbullard.com](mailto:sales@gordonbullard.com) / [www.bullardbollards.com](http://www.bullardbollards.com) / 1-877-964-4646  
 991 South Gull Lake Dr Richland, MI 49083 USA

FIXTURE TYPE: \_\_\_\_\_

PROJECT NAME: \_\_\_\_\_

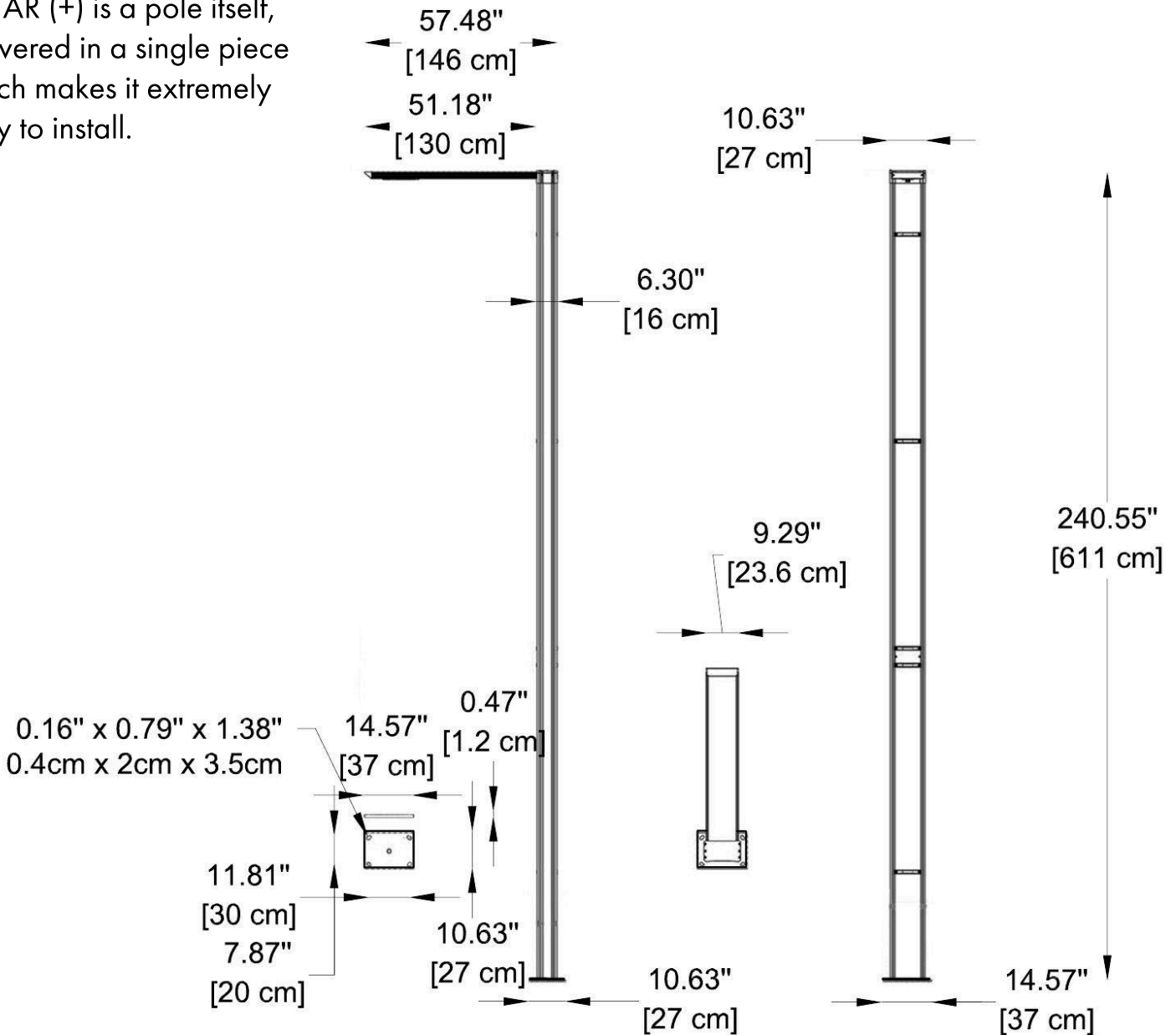
# Technical drawing

## Model I 60

### Product Dimensions

Easy installation | No cabling - No tranching

ADJAR (+) is a pole itself, delivered in a single piece which makes it extremely easy to install.



Due to the dynamic nature of lighting products and the associated technologies, luminaire data on all specification sheets is subject to change at the discretion of Gordon Bullard LLC and associated companies.

ONE WITH THE SUN

[sales@gordonbullard.com](mailto:sales@gordonbullard.com) / [www.bullardbollards.com](http://www.bullardbollards.com) / 1-877-964-4646

991 South Gull Lake Dr Richland, MI 49083 USA

FIXTURE TYPE: \_\_\_\_\_

PROJECT NAME: \_\_\_\_\_

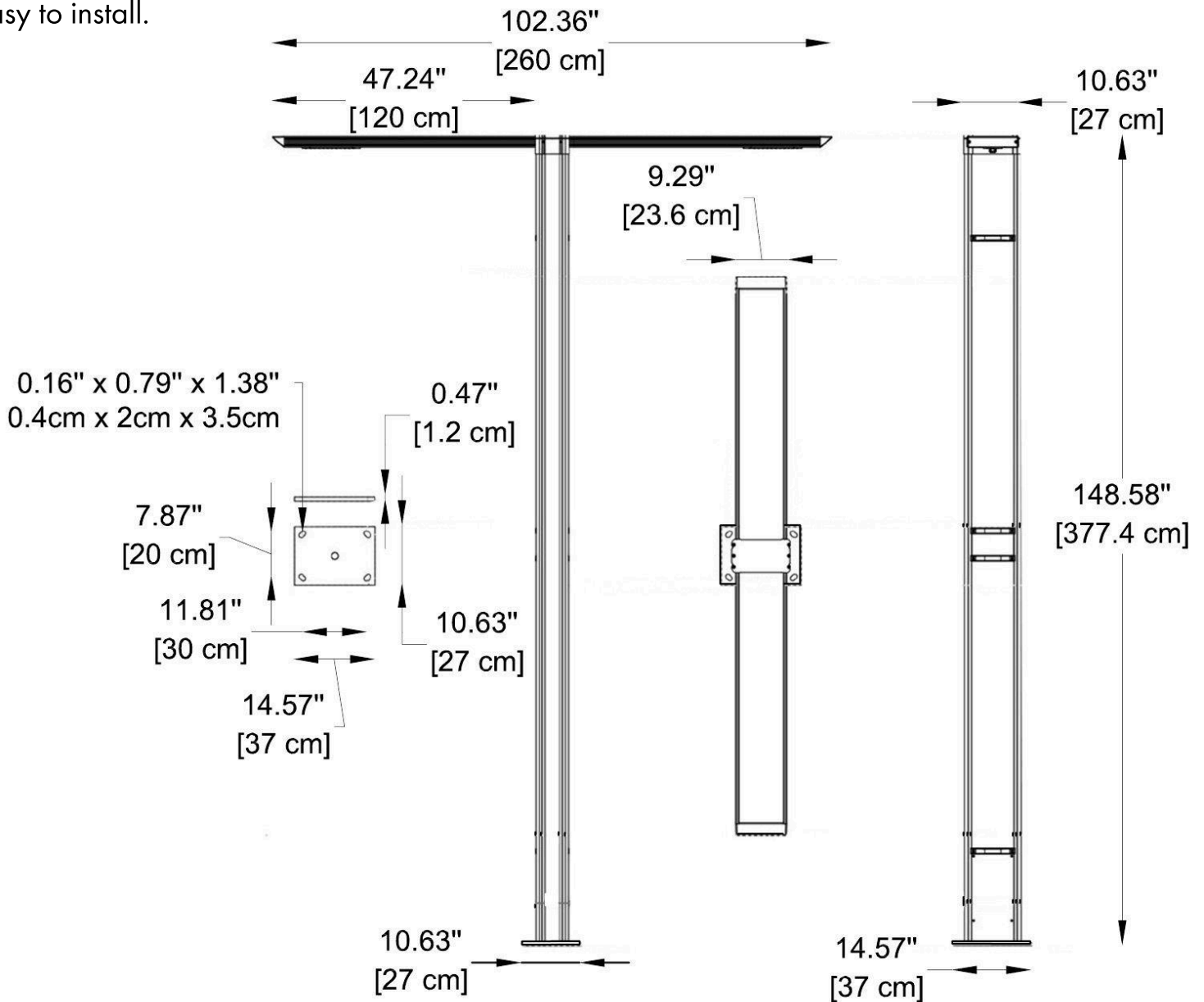
# Technical drawing

## Model I Dual 20

### Product Dimensions

Easy installation | No cabling - No tranching

ADJAR (+) is a pole itself, delivered in a single piece which makes it extremely easy to install.



Due to the dynamic nature of lighting products and the associated technologies, luminaire data on all specification sheets is subject to change at the discretion of Gordon Bullard LLC and associated companies.

ONE WITH THE SUN

[sales@gordonbullard.com](mailto:sales@gordonbullard.com) / [www.bullardbollards.com](http://www.bullardbollards.com) / 1-877-964-4646

991 South Gull Lake Dr Richland, MI 49083 USA

FIXTURE TYPE: \_\_\_\_\_

PROJECT NAME: \_\_\_\_\_

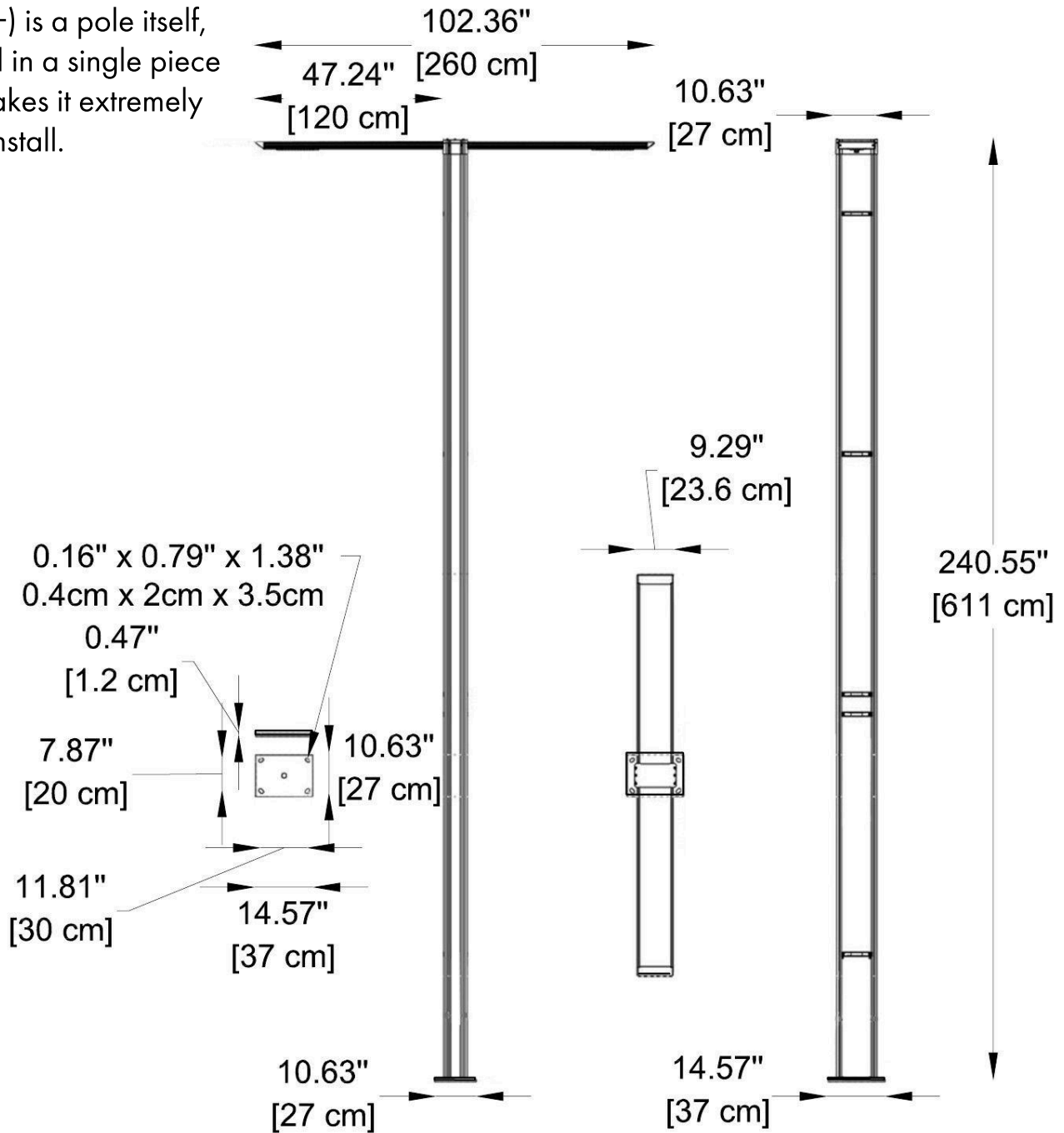
# Technical drawing

## Model I Dual 30

### Product Dimensions

Easy installation | No cabling - No tranching

ADJAR (+) is a pole itself, delivered in a single piece which makes it extremely easy to install.



Due to the dynamic nature of lighting products and the associated technologies, luminaire data on all specification sheets is subject to change at the discretion of Gordon Bullard LLC and associated companies.

ONE WITH THE SUN

sales@gordonbullard.com / www.bullardbollards.com / 1-877-964-4646

991 South Gull Lake Dr Richland, MI 49083 USA